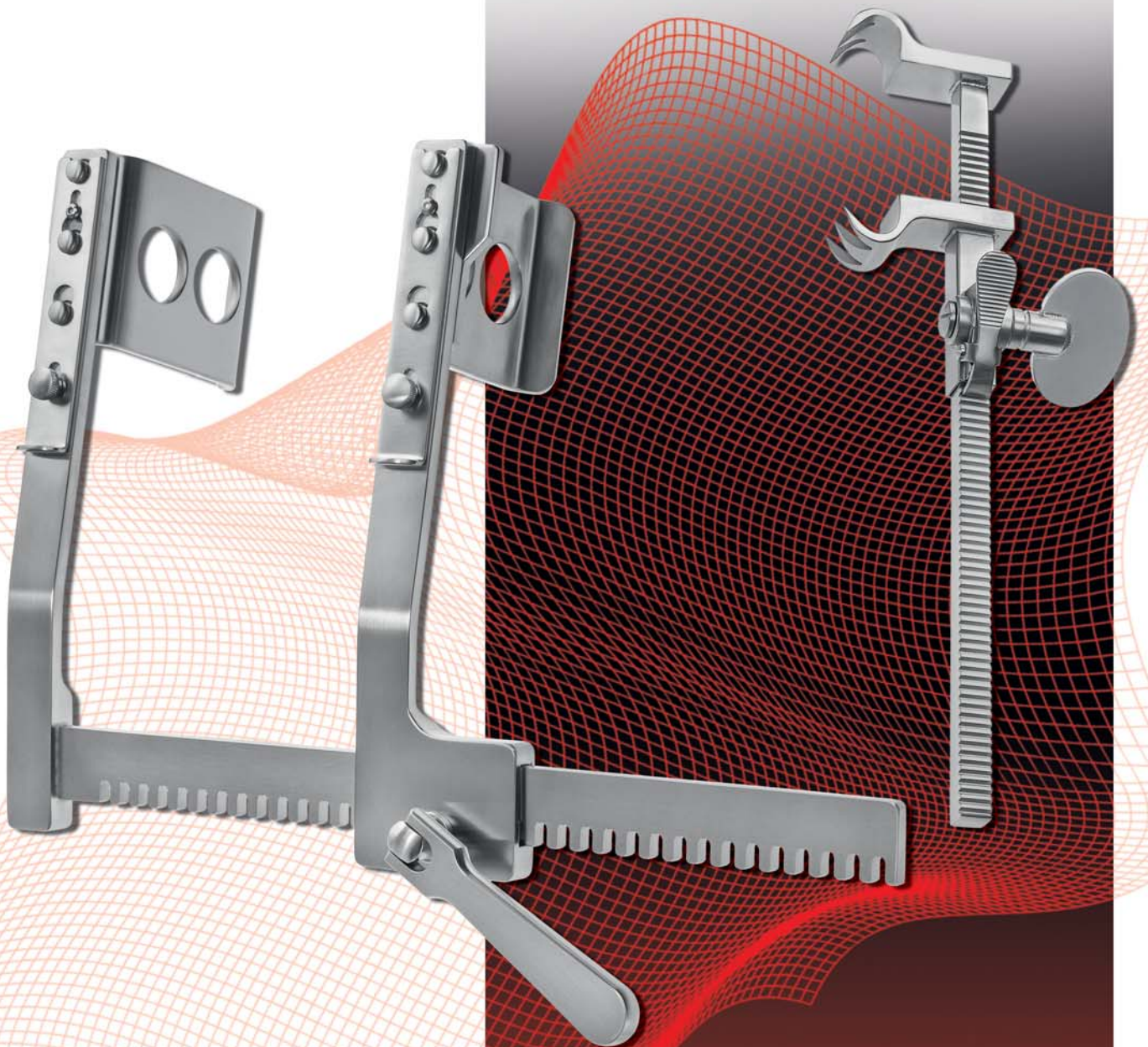


RZ Medizintechnik GmbH
Unter Hasslen 20 | D-78532 Tuttlingen
Phone: +49 (0)7462/9470-0
Fax: +49 (0)7462/9470-50
sales@rz-medizintechnik.com
www.rz-medizintechnik.com



RZ
Medizintechnik
GmbH
Progress in Surgery

CARDIAC Retractors



news
03.2014

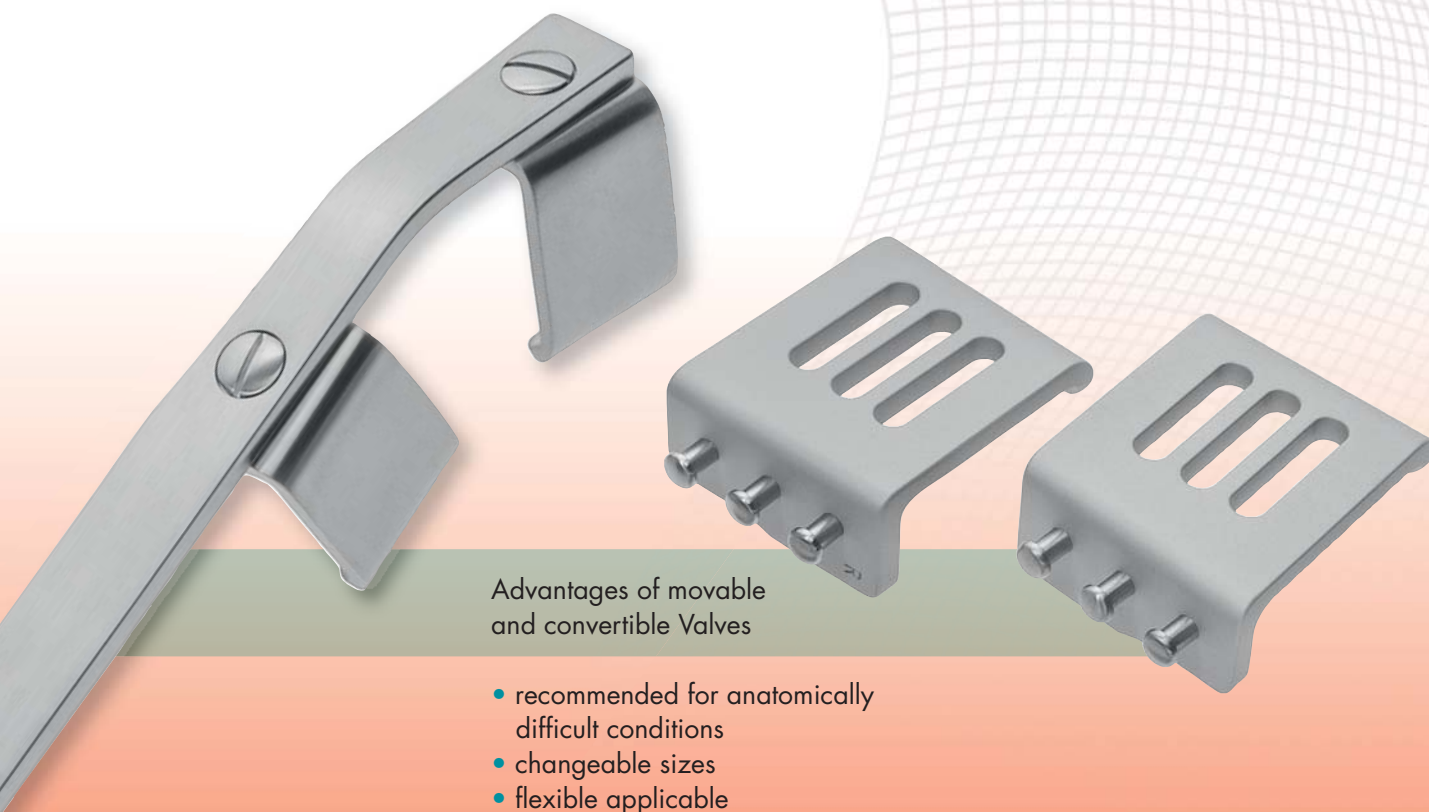
RZ CARDIAC RETRACTORS

The RZ Cardiac Retractors offers a multiplicity of different Sternum Retractors and Rib Spreaders with different valves sizes for flexibility - in stainless steel or aluminium.

Material Comparison

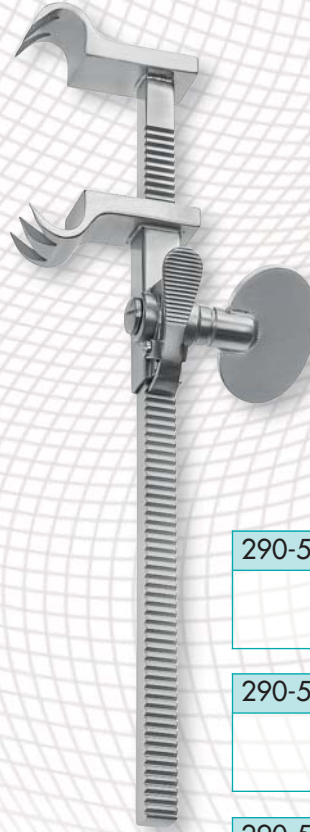
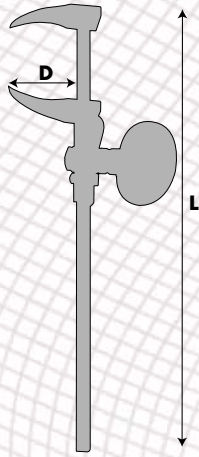
Ti²² Titanium	Al¹³ Aluminium	Fe²⁶ Stainless Steel
<ul style="list-style-type: none">• extremely light weight, especially for neo-natal operations to protect the breathing• X-ray-permeable	<ul style="list-style-type: none">• light weight• corrosion resist• price-performance ratio• non-reflective surface	<ul style="list-style-type: none">• traditional style for adults• powerful performance

Note: if not listed separately, the material of the retractors is stainless steel



Advantages of movable and convertible Valves

- recommended for anatomically difficult conditions
- changeable sizes
- flexible applicable



BAILEY

290-501-140	Bailey Baby, 3 prongs			
	S	L	W	D
		140mm		18mm

290-502-160	Bailey, 3 prongs			
	S	L	W	D
		180mm		19mm

290-503-160	Bailey-Gibbon, 3 prongs			
	S	L	W	D
		180mm		29mm



LEMMON

290-504-140	Lemmon, Child			
	S	L	W	D
		145mm		

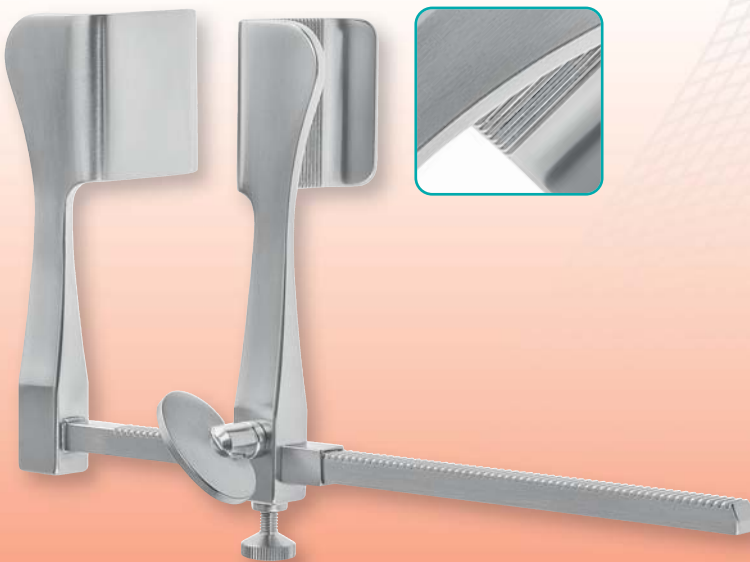
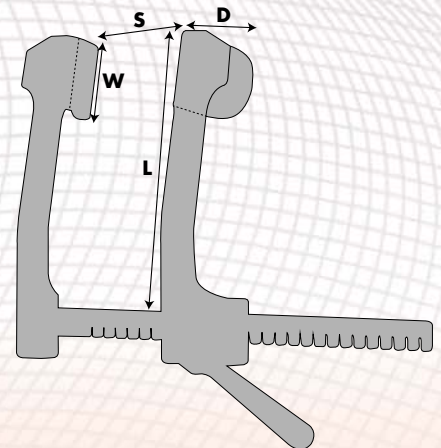
290-504-180	Lemmon, Adult			
	S	L	W	D
		180mm		

RZ CARDIAC RETRACTORS



TUFFIER

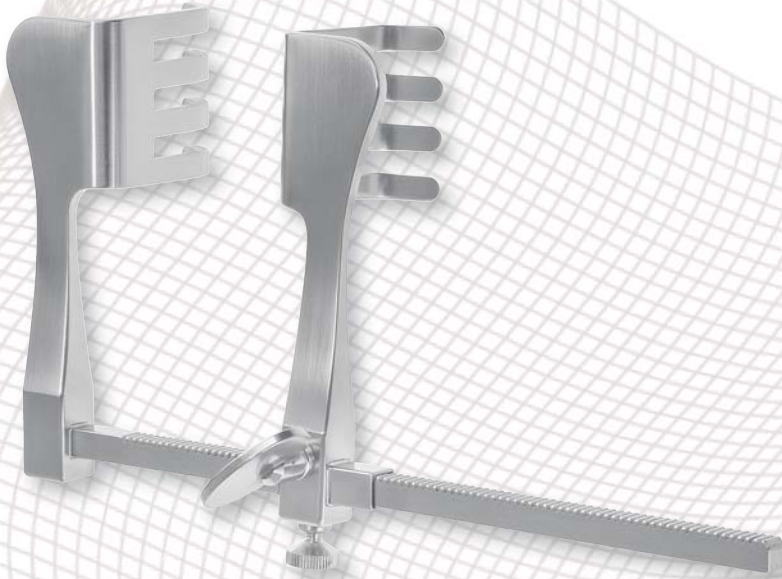
290-174-000	Tuffier, toothed valves			
	S	L	W	D
	178mm	108mm	45mm	48mm



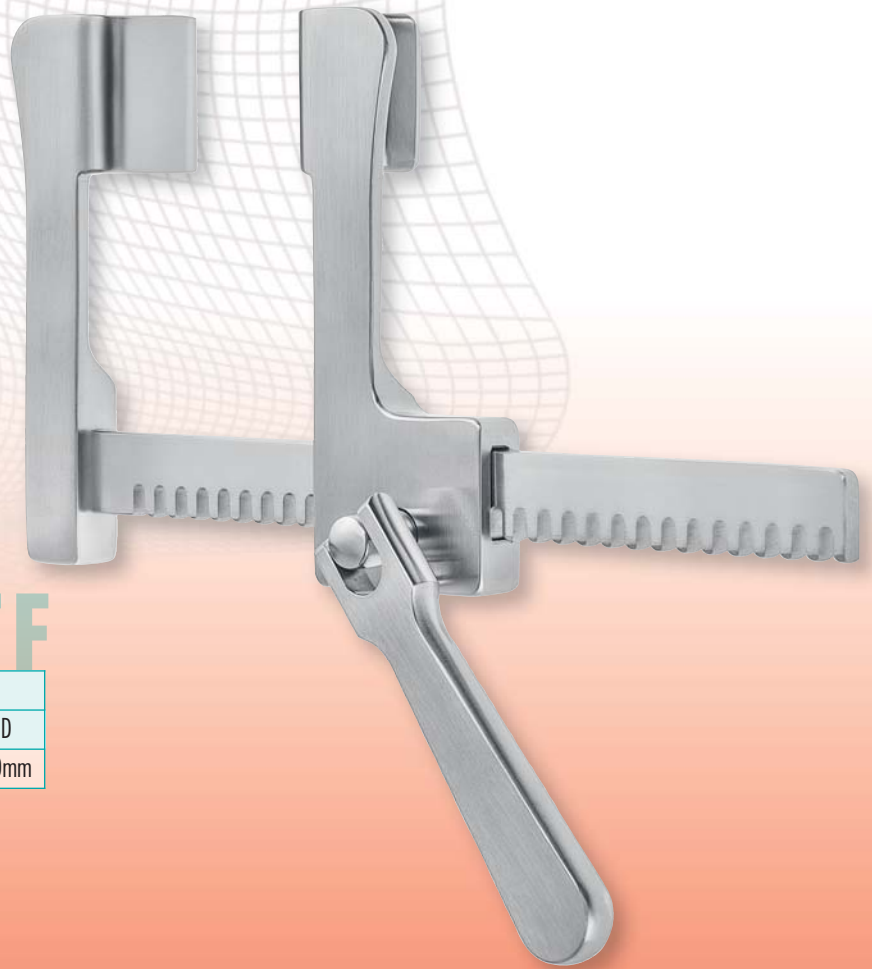
TUFFIER

290-174-010	Tuffier, serrated valves			
	S	L	W	D
	178mm	108mm	45mm	48mm

BADGLEY



170-905-000	Badgley, 4 prongs			
	S	L	W	D
	165mm	108mm	45mm	50mm



RIENHOFF

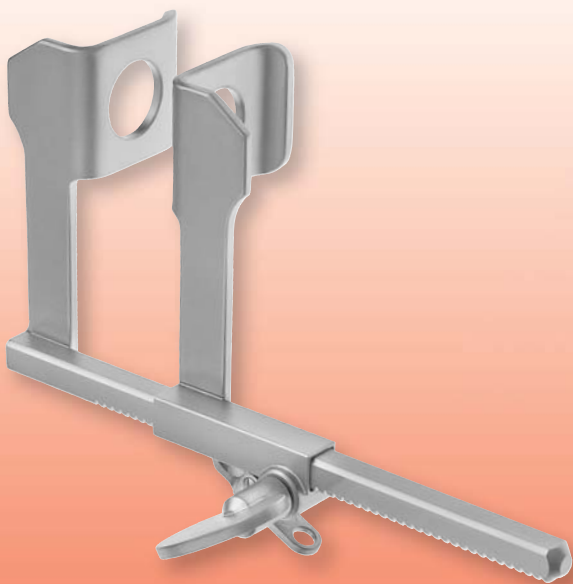
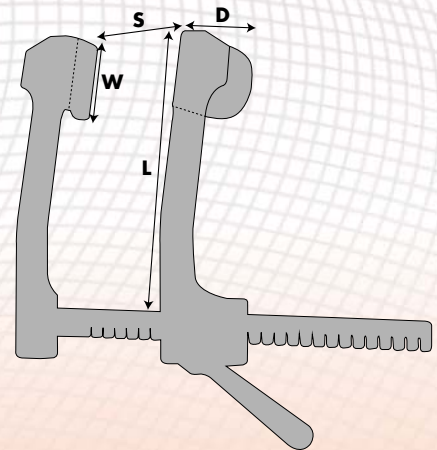
290-169-000	Rienhoff			
	S	L	W	D
	140mm	116mm	33mm	30mm

RZ CARDIAC RETRACTORS

RIENHOFF



290-169-010	Rienhoff			
	S	L	W	D
	140mm	146mm	45mm	47mm



HAIGHT

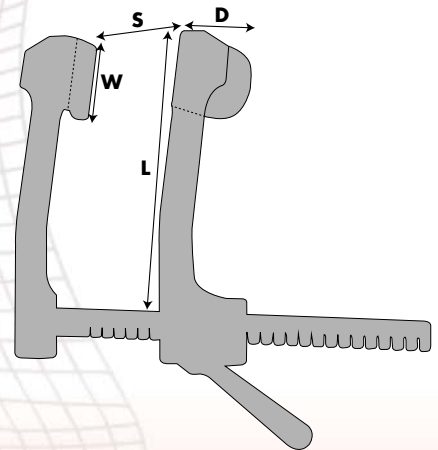
290-168-050	Haight Baby			
	S	L	W	D
	90mm	73mm	35mm	31.5mm

HAIGHT

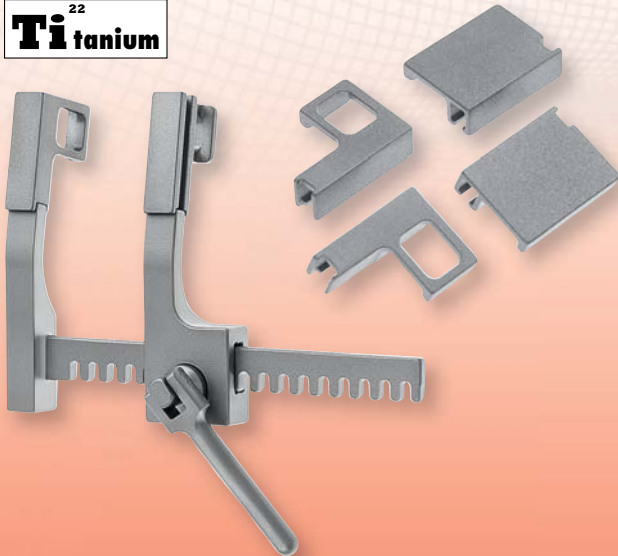


290-168-060	Haight, small			
	S	L	W	D
	126mm	64mm	31mm	32mm

290-168-090	Haight, large			
	S	L	W	D
	126mm	90mm	31mm	32mm



²²
Tianium



TITAN

290-187-000	Titan Mini			
	S	L	W	D
	39mm	40mm		

Consisting of 290-187-001 and 290-187-002

	Spare Valves, paired			
	S	L	W	D
290-187-001			20mm	15mm
290-187-002			10mm	15mm

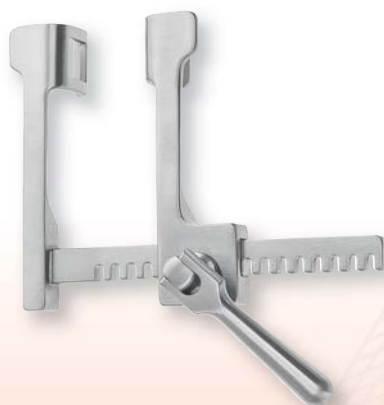
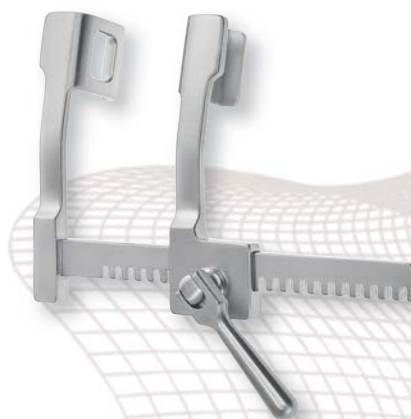


FINOCHIETTO

290-177-035	Finochietto Micro Neonatal			
	S	L	W	D
	35mm	27mm	12mm	10mm

FINOCHIETTO

290-179-075	Finochietto Baby, curved arms			
	S	L	W	D
	80mm	60mm	21mm	18mm



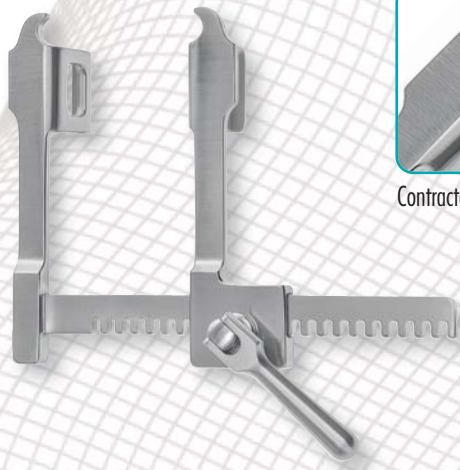
FINOCHIETTO

	Finochietto Baby, straight arms			
	S	L	W	D
290-177-055	55mm	51mm	15mm	13mm
290-177-070	75mm	51mm	15mm	13mm
290-177-075	80mm	60mm	21mm	18mm



HAIGHT FINOCHIETTO

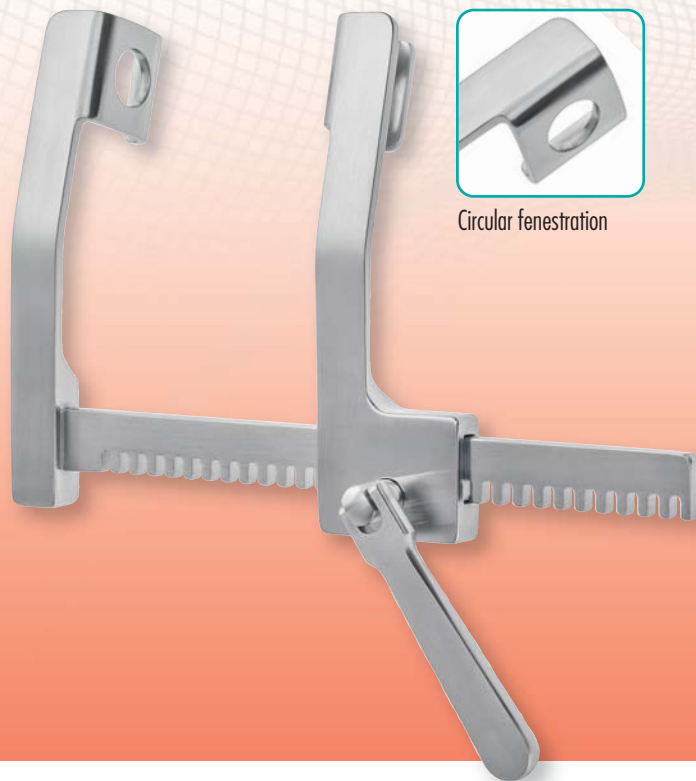
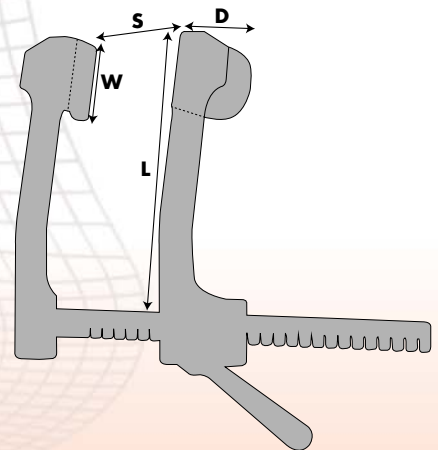
290-161-002	Haight Finochietto Baby			
	S	L	W	D
	98mm	76mm	31mm	31mm



Contractor

FINOCHIETTO

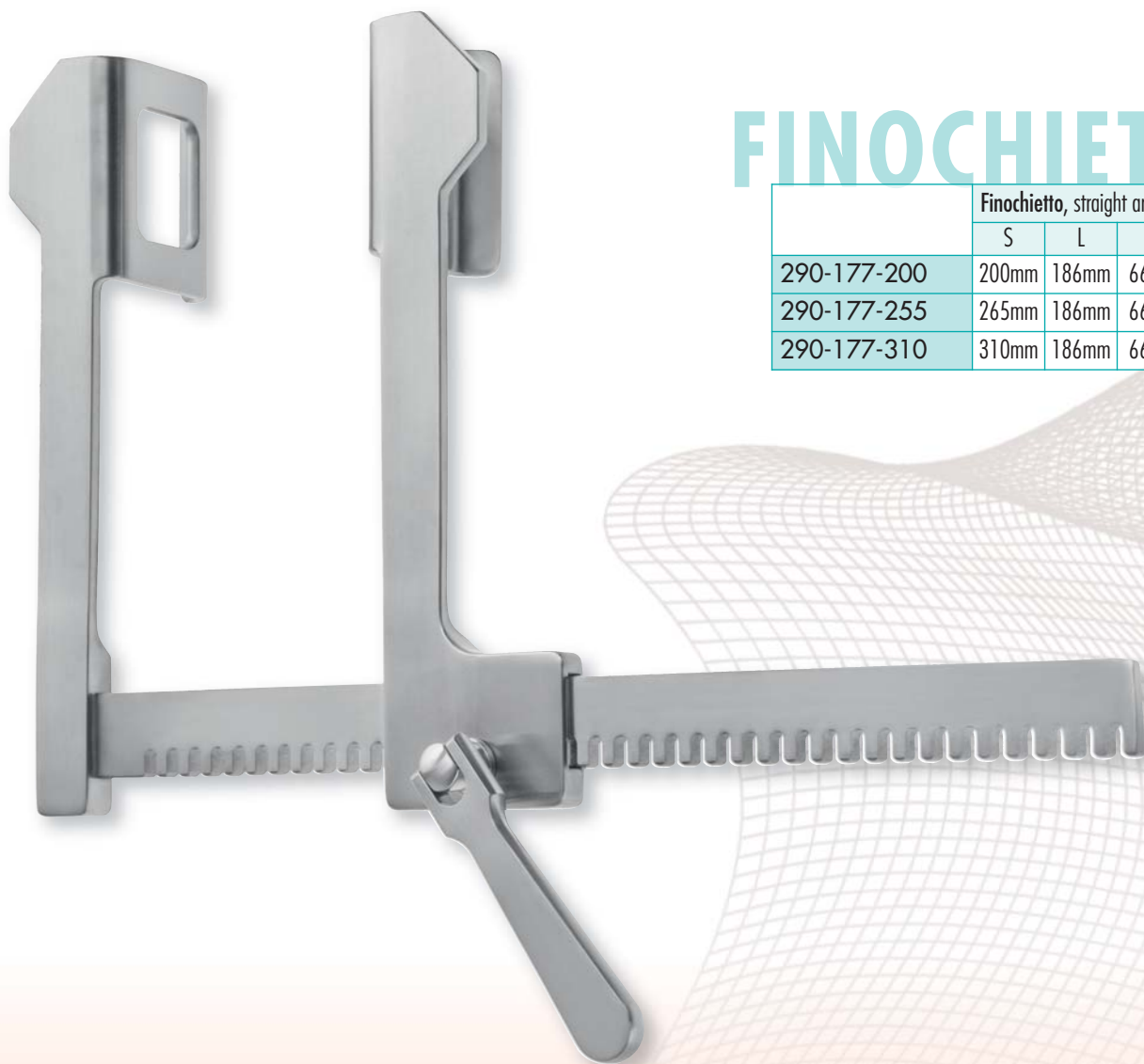
290-178-075	Finochietto Baby, with contractor			
	S	L	W	D
	80mm	68mm	21mm	19mm



Circular fenestration

FINOCHIETTO

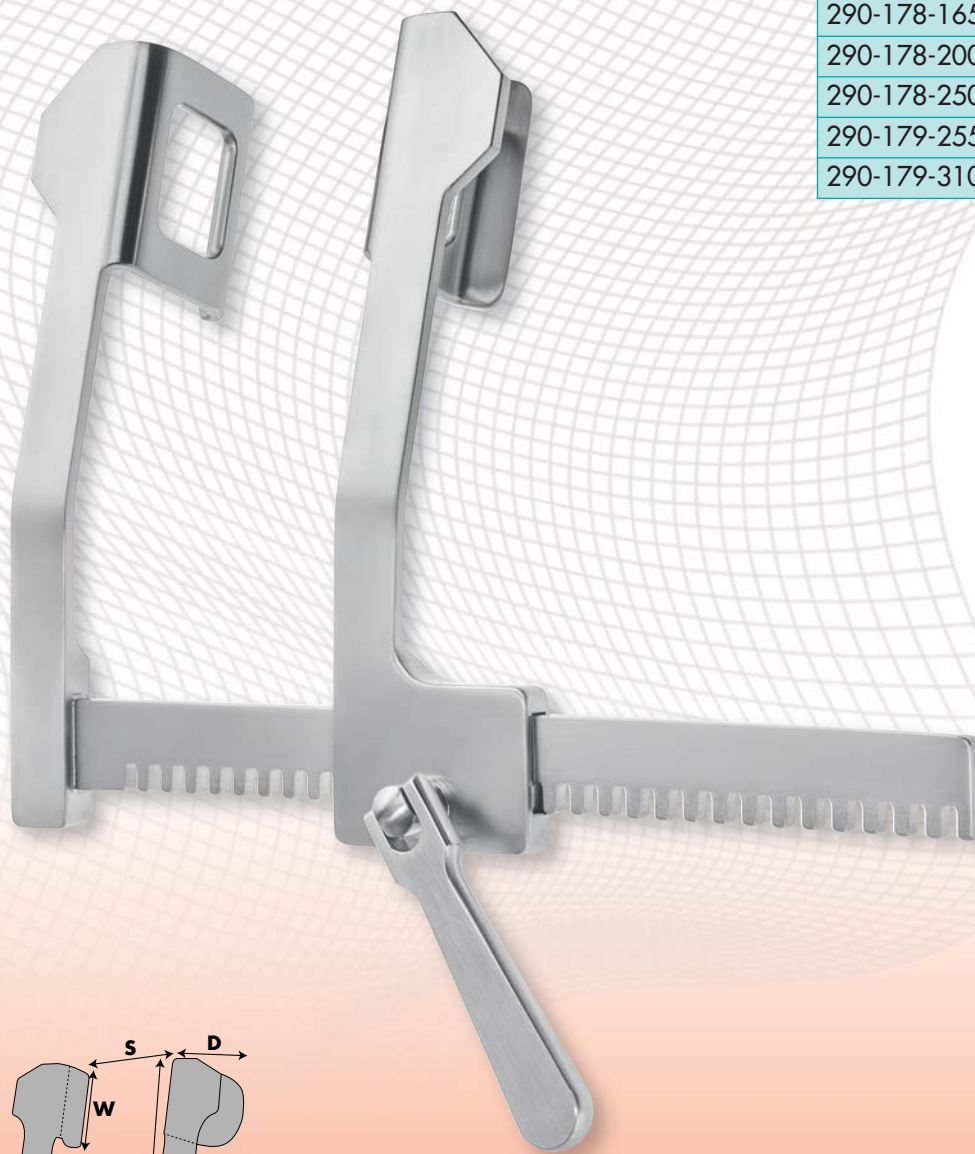
290-181-180	Finochietto Child, curved arms			
	S	L	W	D
	150mm	111mm	32mm	28mm



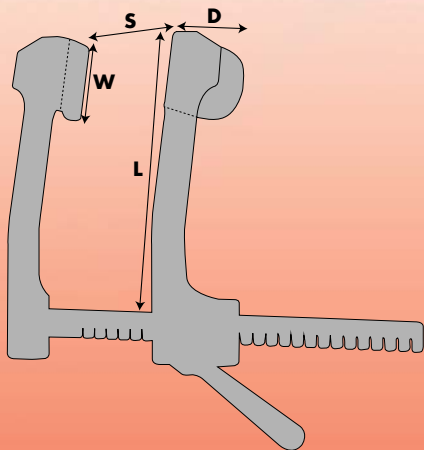
FINOCHIETTO

	Finochietto, straight arms			
	S	L	W	D
290-177-200	200mm	186mm	66mm	51mm
290-177-255	265mm	186mm	66mm	51mm
290-177-310	310mm	186mm	66mm	51mm

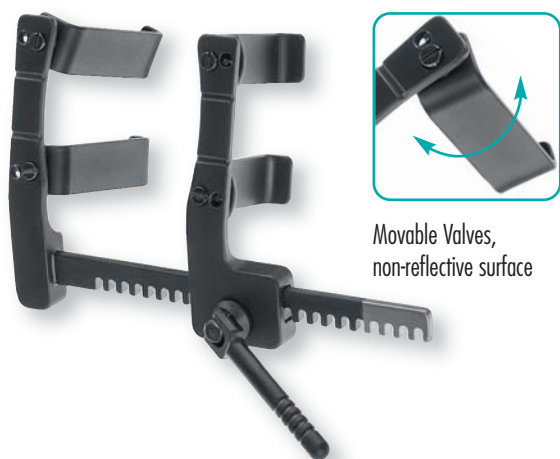
FINOCHIETTO



	Finochietto, curved arms			
	S	L	W	D
290-178-165	148mm	130mm	45mm	40mm
290-178-200	200mm	180mm	65mm	50mm
290-178-250	250mm	180mm	65mm	70mm
290-179-255	265mm	180mm	65mm	50mm
290-179-310	310mm	180mm	65mm	50mm

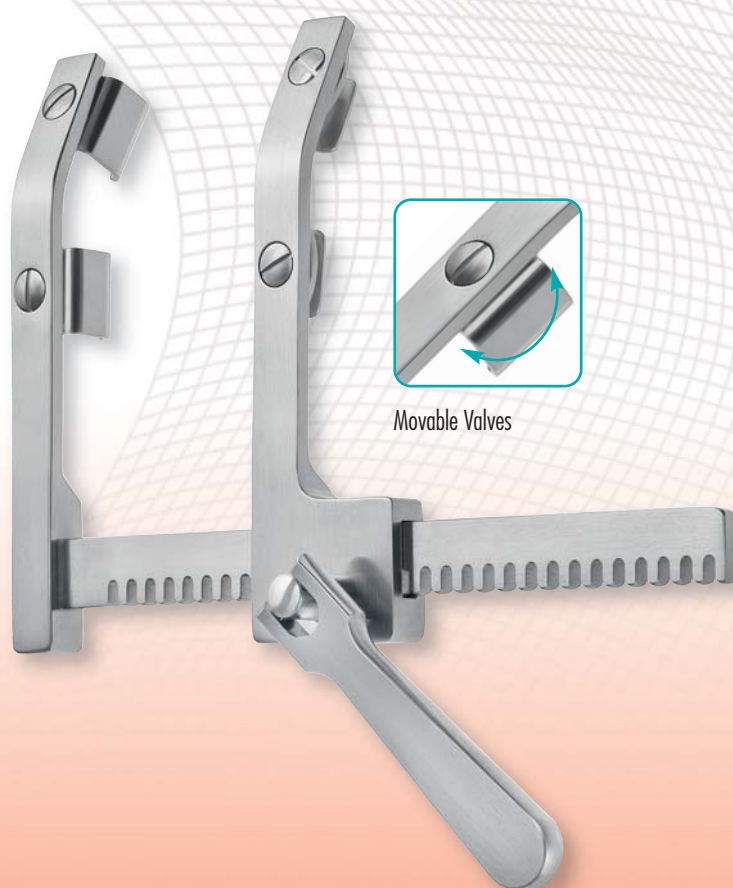
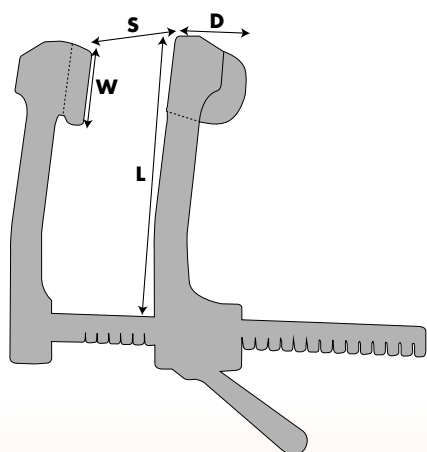


RZ CARDIAC RETRACTORS



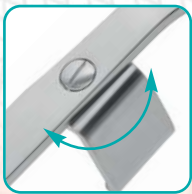
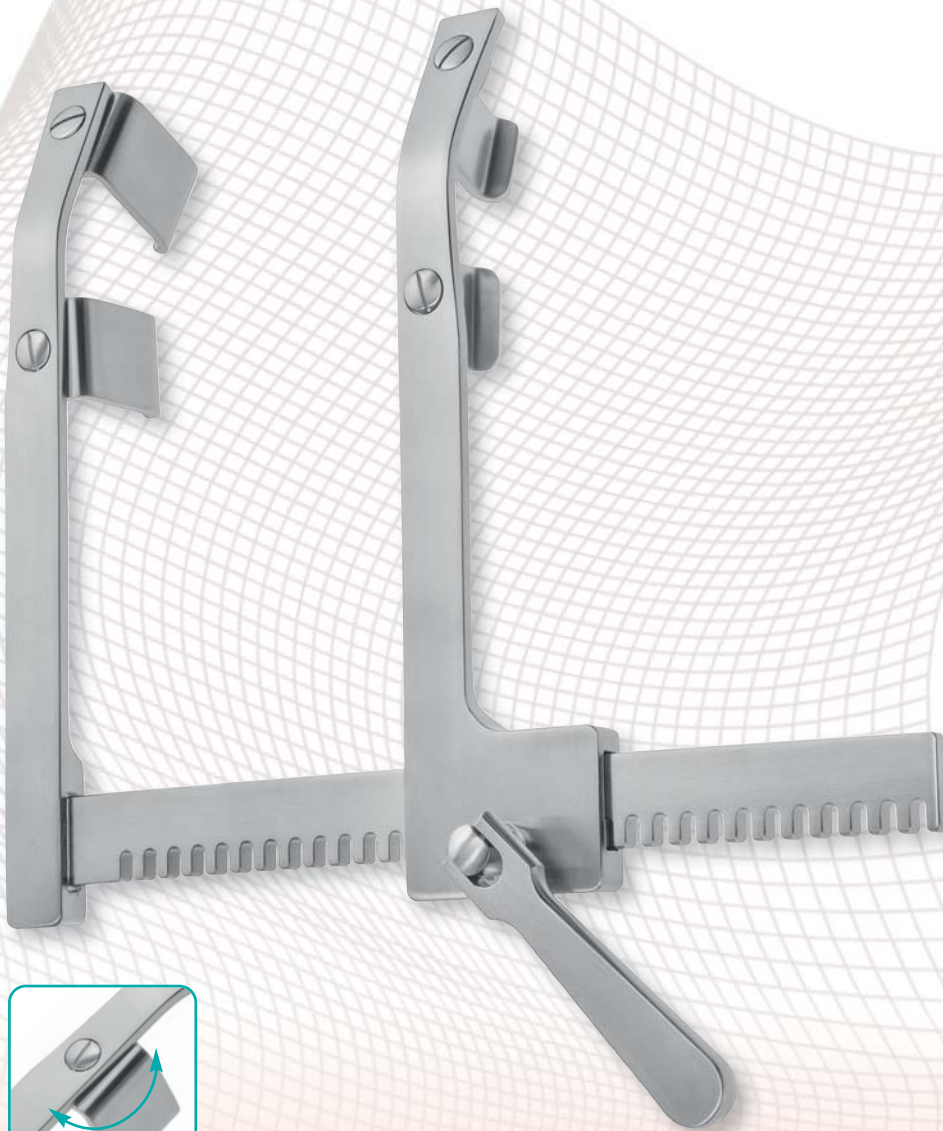
MORSE

290-300-255	Morse, small, blackened			
	S	L	W	D
	65mm	56mm	40mm	12mm



MORSE

	Morse Child			
	S	L	W	D
290-300-300	154mm	125mm	22mm	15mm
290-300-400	212mm	148mm	29mm	23mm



Movable Valves

FAVALORO-MORSE

290-310-000	Favaloro-Morse			
	S	L	W	D
	212mm	205mm	29mm	38mm

PACIFICO-MORSE

290-300-150	Pacifico-Morse, with 2 pair valves			
	S	L	W	D
	170mm	148mm	29mm	23mm
			29mm	34mm



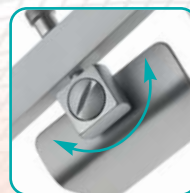
Replaceable Valve

CARPENTIER

290-188-000	Carpentier, incl. 2 pairs sternal valves			
	S	L	W	D
	200mm	165mm	100mm	36mm

Consisting of 290-188-001 and 290-188-002

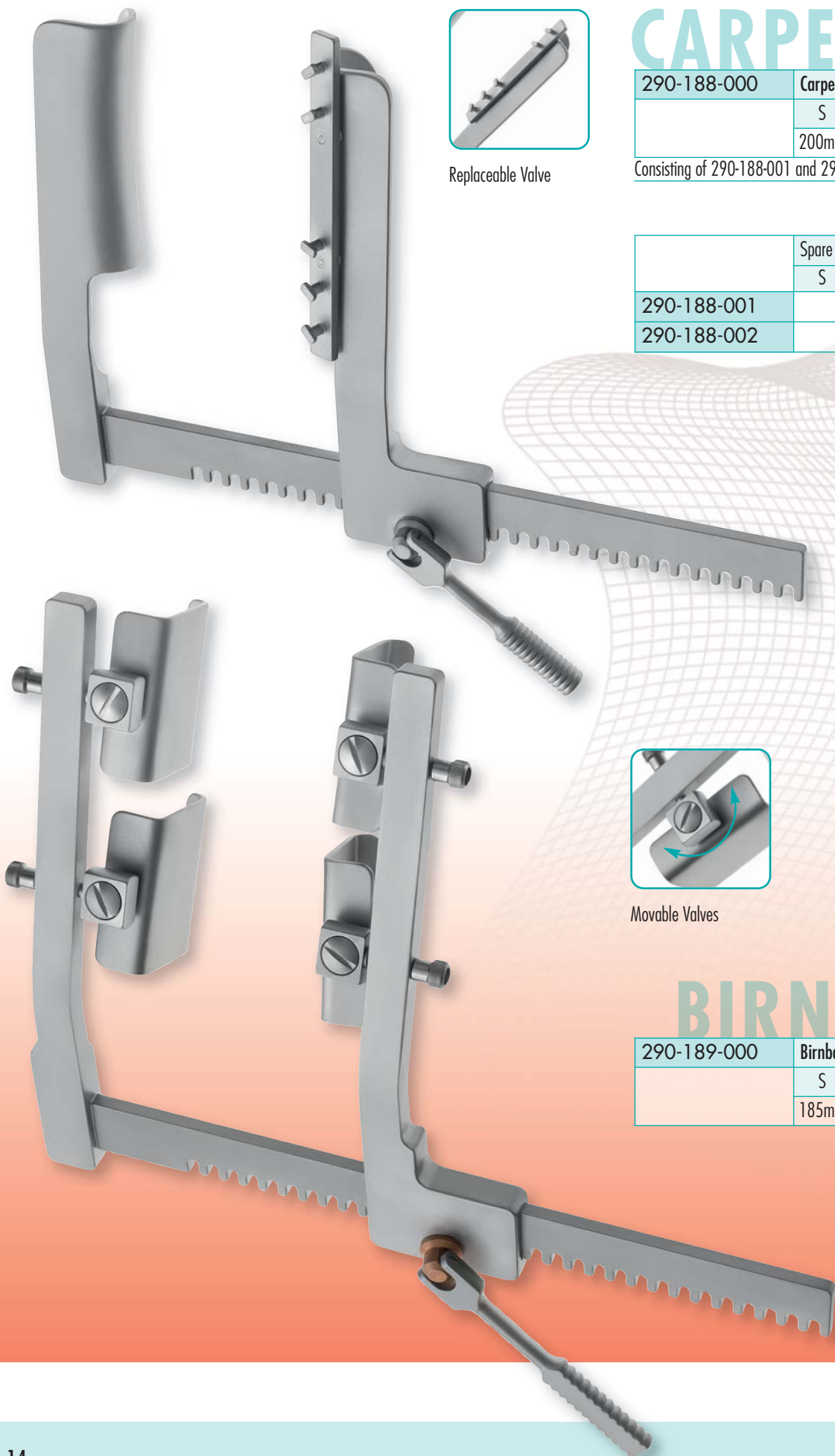
	Spare Valves, paired			
	S	L	W	D
290-188-001			15mm	25mm
290-188-002			25mm	25mm



Movable Valves

BIRNBAUM

290-189-000	Birnbäum			
	S	L	W	D
	185mm	198mm	60mm	40mm

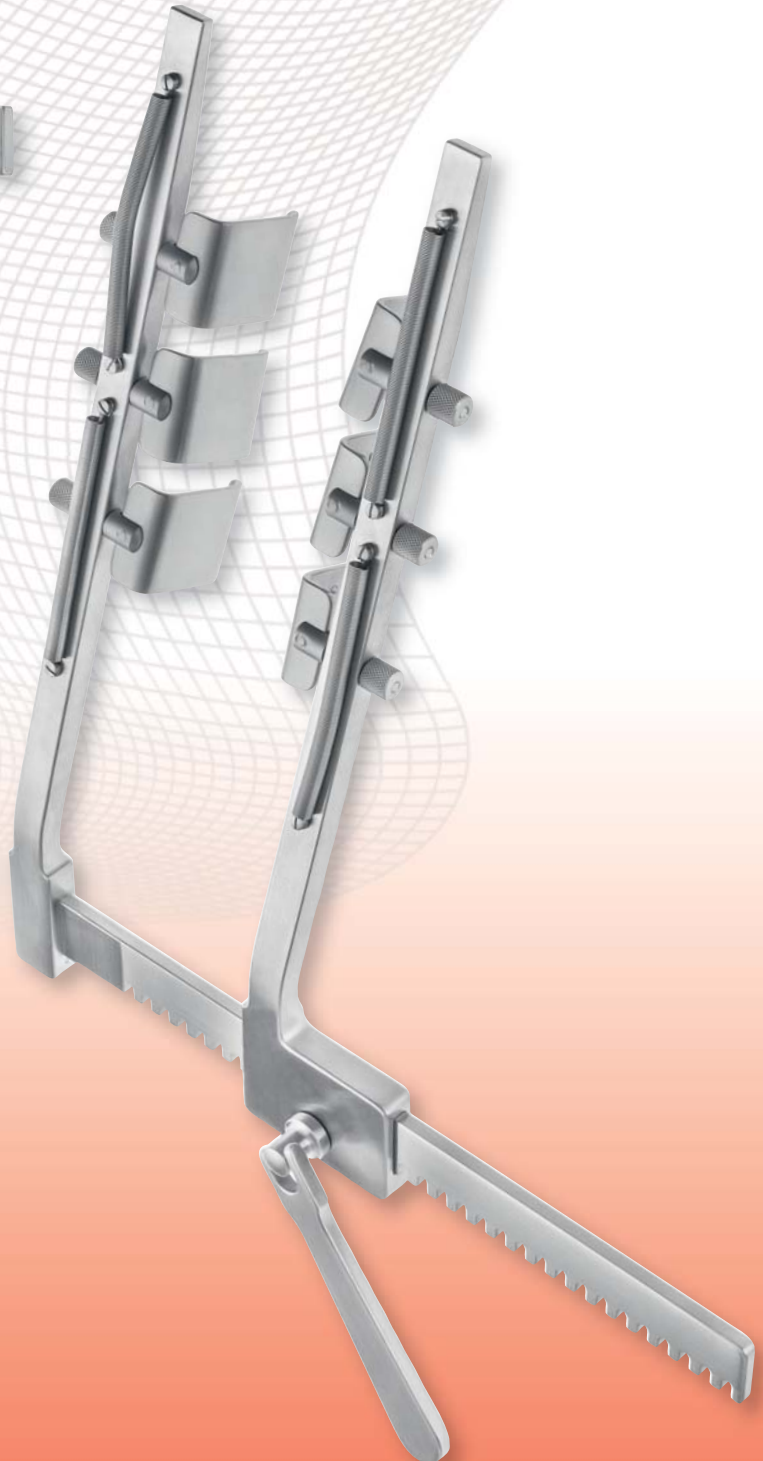
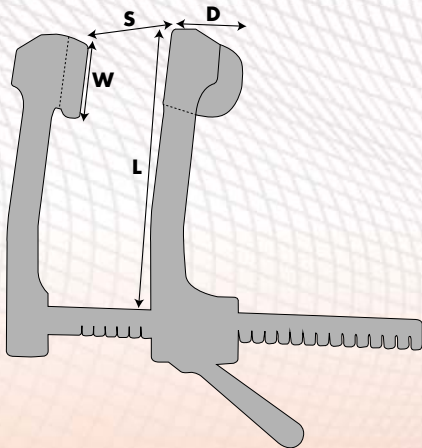


ANKENEY



Al¹³uminium

290-177-000	Ankeney Child, 4 fixed swivel valves			
	S	L	W	D
	139mm	114mm	19mm	23mm

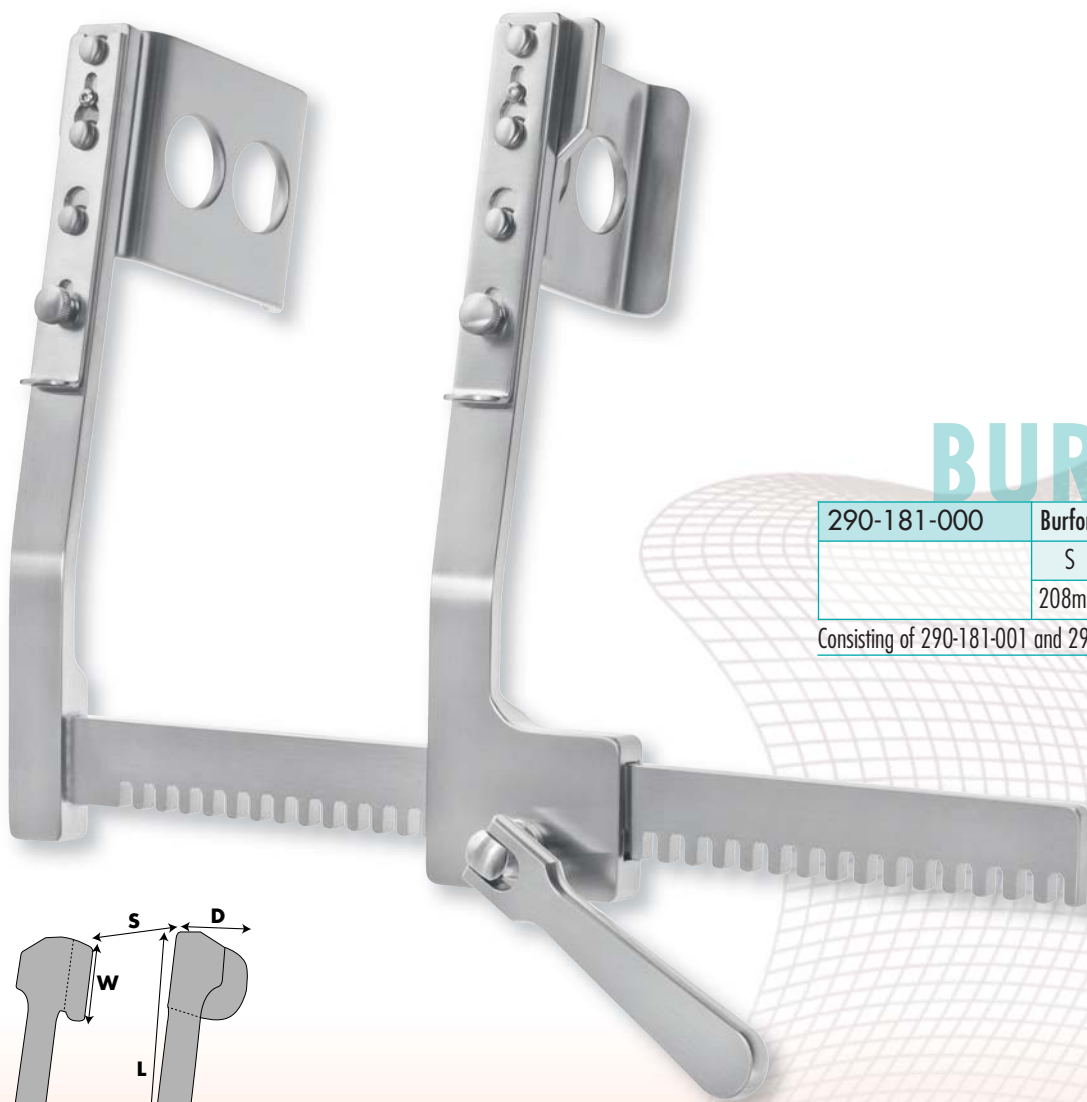


ANKENEY

290-178-000	Ankeney Adult, 6 fixed swivel valves			
	S	L	W	D
	195mm	289mm	35mm	35mm

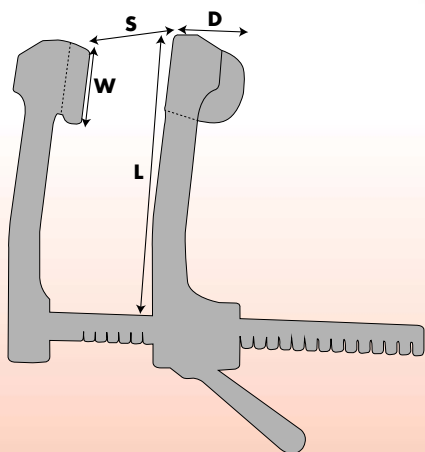
RZ CARDIAC RETRACTORS

BURFORD



290-181-000	Burford, incl. 2 pair valves			
	S	L	W	D
	208mm	192mm		

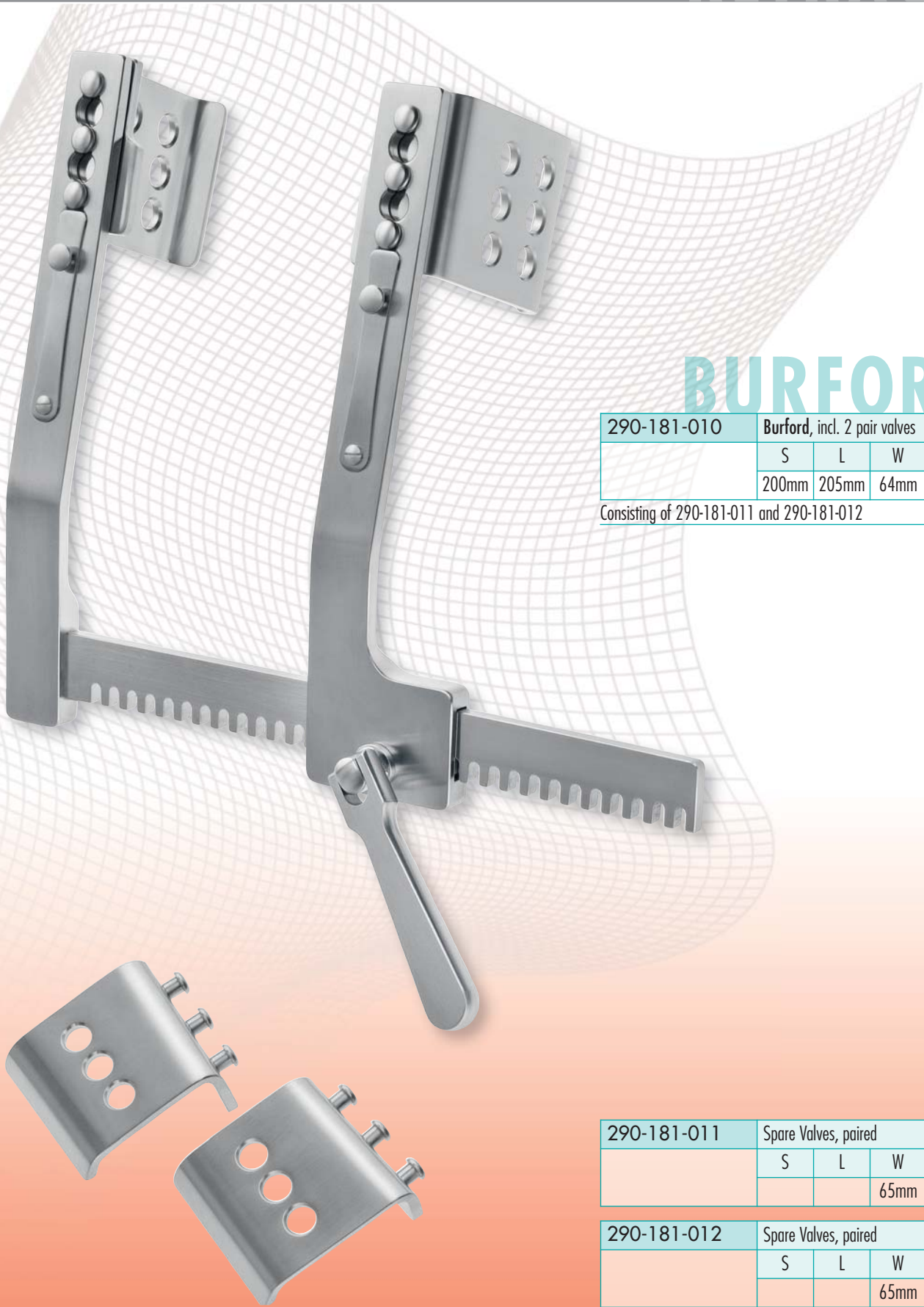
Consisting of 290-181-001 and 290-181-002



290-181-001	Spare Valves, paired			
	S	L	W	D
			65mm	77mm

290-181-002	Spare Valves, paired			
	S	L	W	D
			65mm	46mm

BURFORD



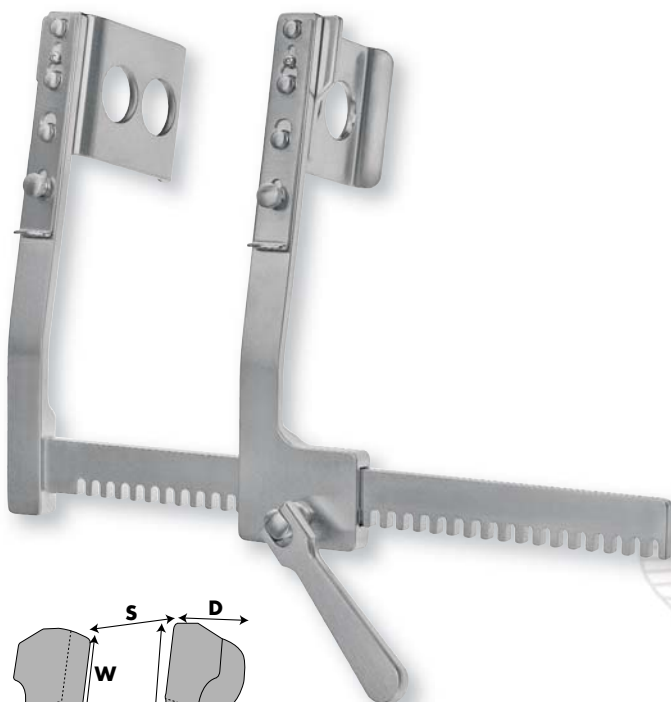
290-181-010	Burford, incl. 2 pair valves			
	S	L	W	D
	200mm	205mm	64mm	65mm

Consisting of 290-181-011 and 290-181-012

290-181-011	Spare Valves, paired			
	S	L	W	D
			65mm	77mm

290-181-012	Spare Valves, paired			
	S	L	W	D
			65mm	46mm

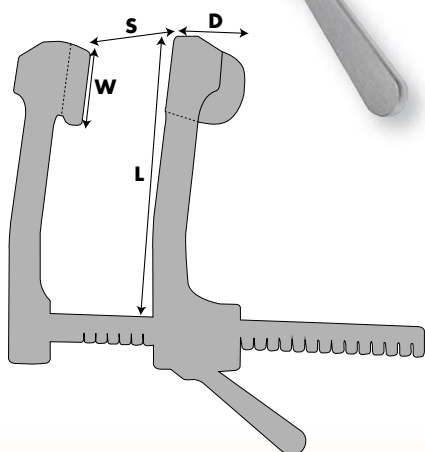
BURFORD



290-181-020	Burford Child, incl. 4 paired valves			
	S	L	W	D
	157mm	108mm		

Consisting of 290-181-021 to 290-181-024

	Spare Valves, paired			
	S	L	W	D
290-181-021			44mm	47mm
290-181-022			45mm	31mm
290-181-023			33mm	30mm
290-181-024			23mm	22mm

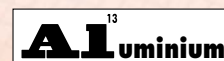


BURFORD FINOCHIETTO

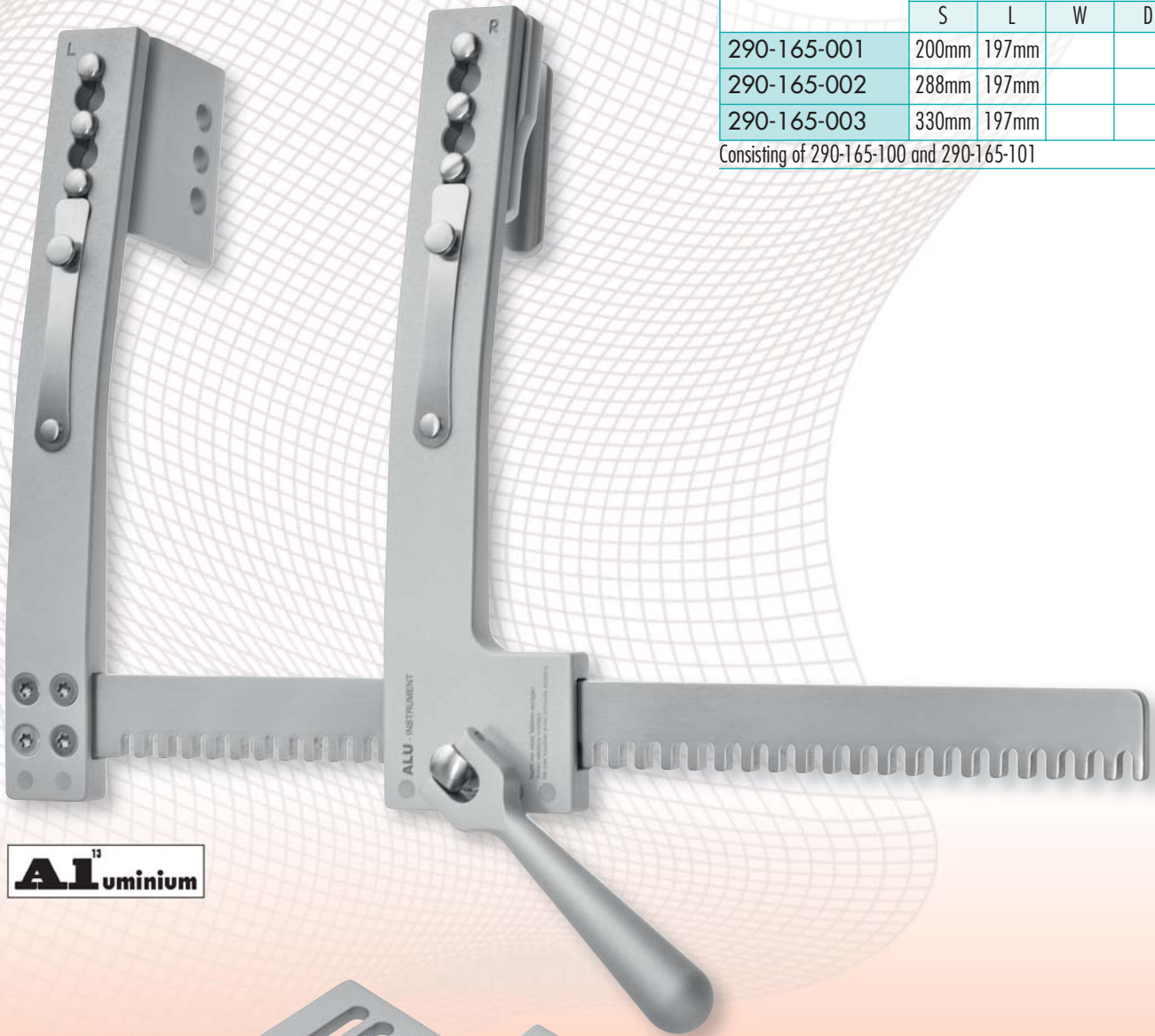
290-164-000	Burord Finochietto, 2 paired valves			
	S	L	W	D
	135mm	113mm		

Consisting of 290-181-021 to 290-181-024

	Spare Valves, paired			
	S	L	W	D
290-165-102			42mm	34mm
290-165-103			42mm	48mm



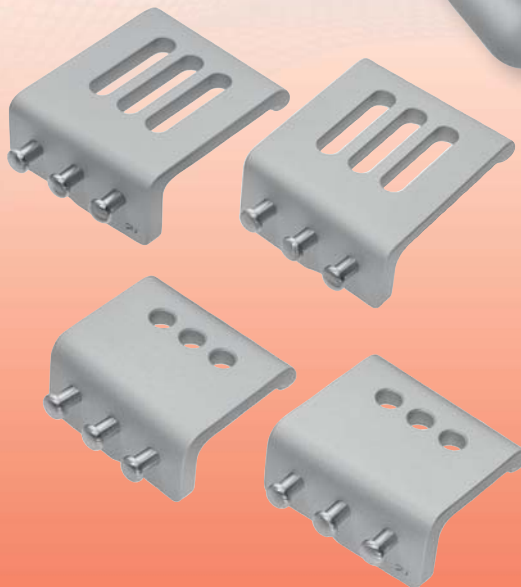
BURFORD-FINOCHIETTO



AL¹³uminium

	Burford Finochietto, 2 paired valves			
	S	L	W	D
290-165-001	200mm	197mm		
290-165-002	288mm	197mm		
290-165-003	330mm	197mm		

Consisting of 290-165-100 and 290-165-101



290-165-100	Spair Valves, fenestrated			
	S	L	W	D
			62mm	47mm

290-165-101	Spair Valves, perforated			
	S	L	W	D
			62mm	65mm

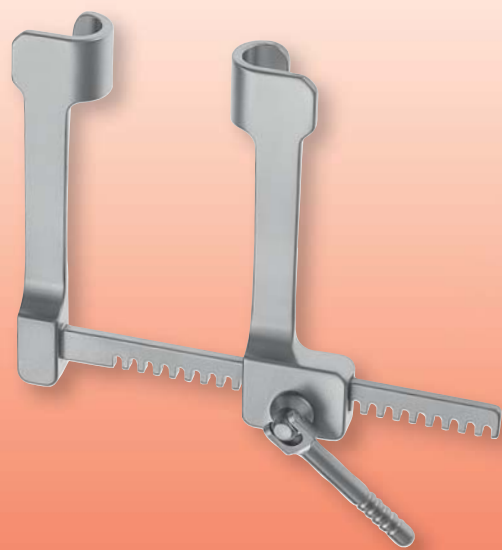


CASTANEDA

	Castaneda			
	S	L	W	D
290-166-001	74mm	60mm	34mm	11mm
290-166-002	80mm	80mm	45mm	13mm
290-166-003	110mm	126mm	60mm	17.5mm

COOLEY

290-160-000	Cooley Child, with points			
	S	L	W	D
	97mm	77mm	20.5mm	17mm



COOLEY-CLARKE

290-160-010	Cooley-Clarke Infant			
	S	L	W	D
	65mm	70mm	15mm	10mm

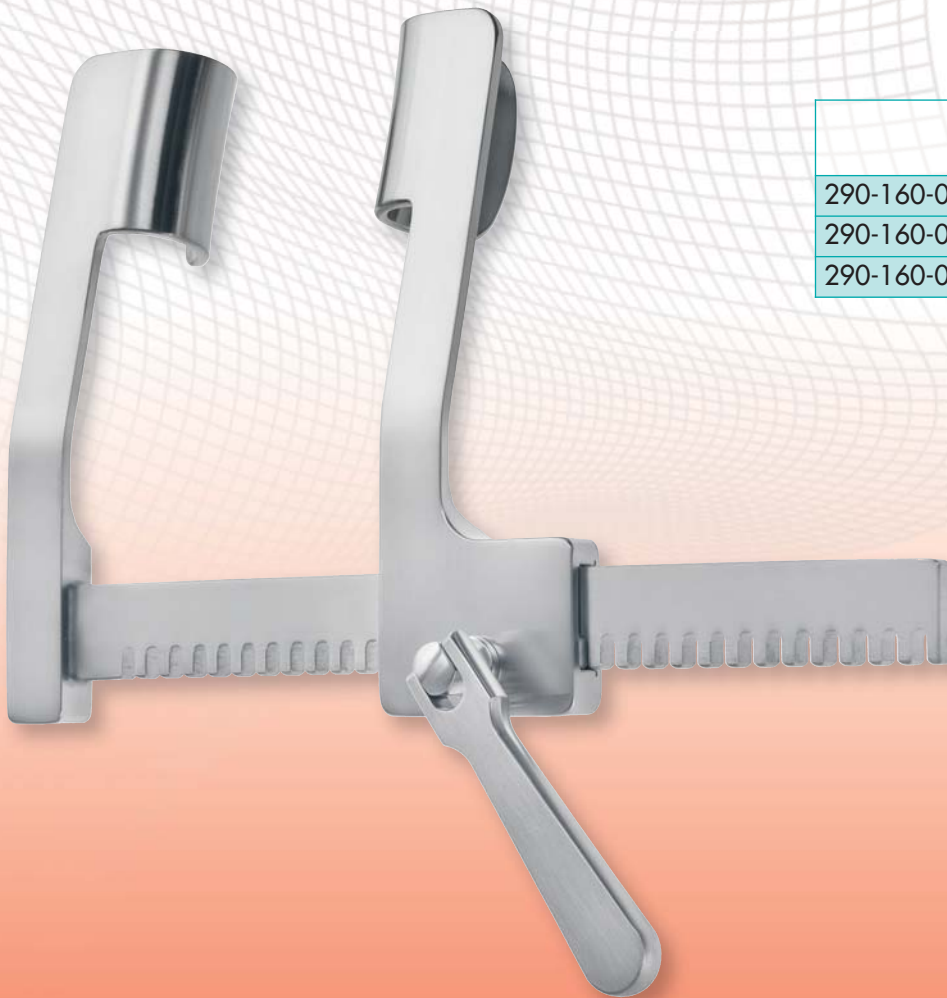
COOLEY

Al¹³uminium



	Cooley Child			
	S	L	W	D
290-160-001	74mm	58mm	17mm	11mm
290-160-002	101mm	80mm	30mm	17mm

COOLEY



	Cooley			
	S	L	W	D
290-160-003	137mm	112mm	46mm	25mm
290-160-004	170mm	140mm	52mm	34mm
290-160-005	194mm	158mm	102mm	29mm



BAILEY FINOCHIETTO

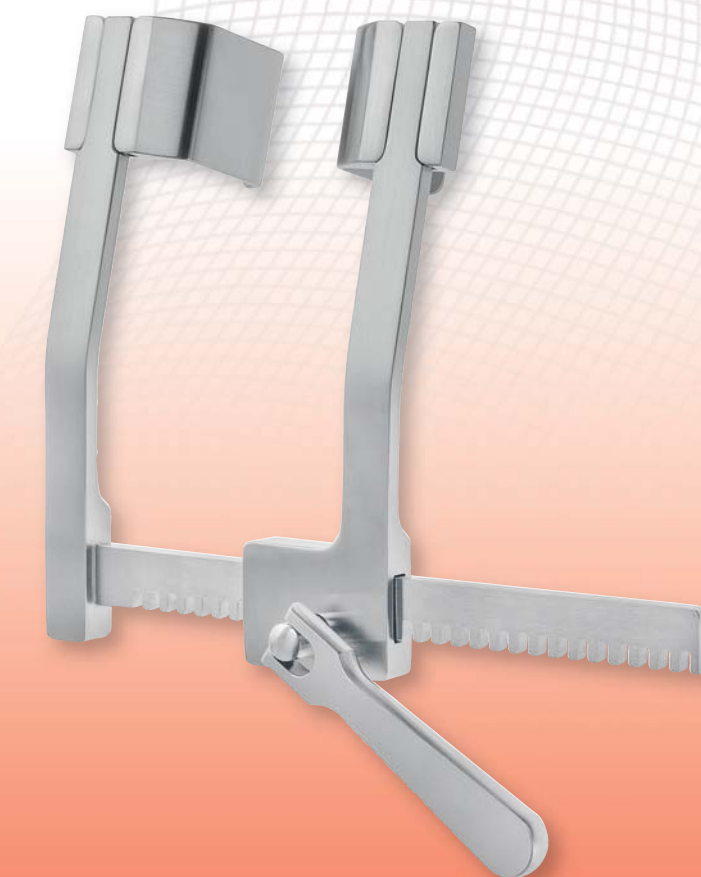
290-179-000	Bailey Finochietto			
	S	L	W	D
	74mm	58mm	14mm	12mm

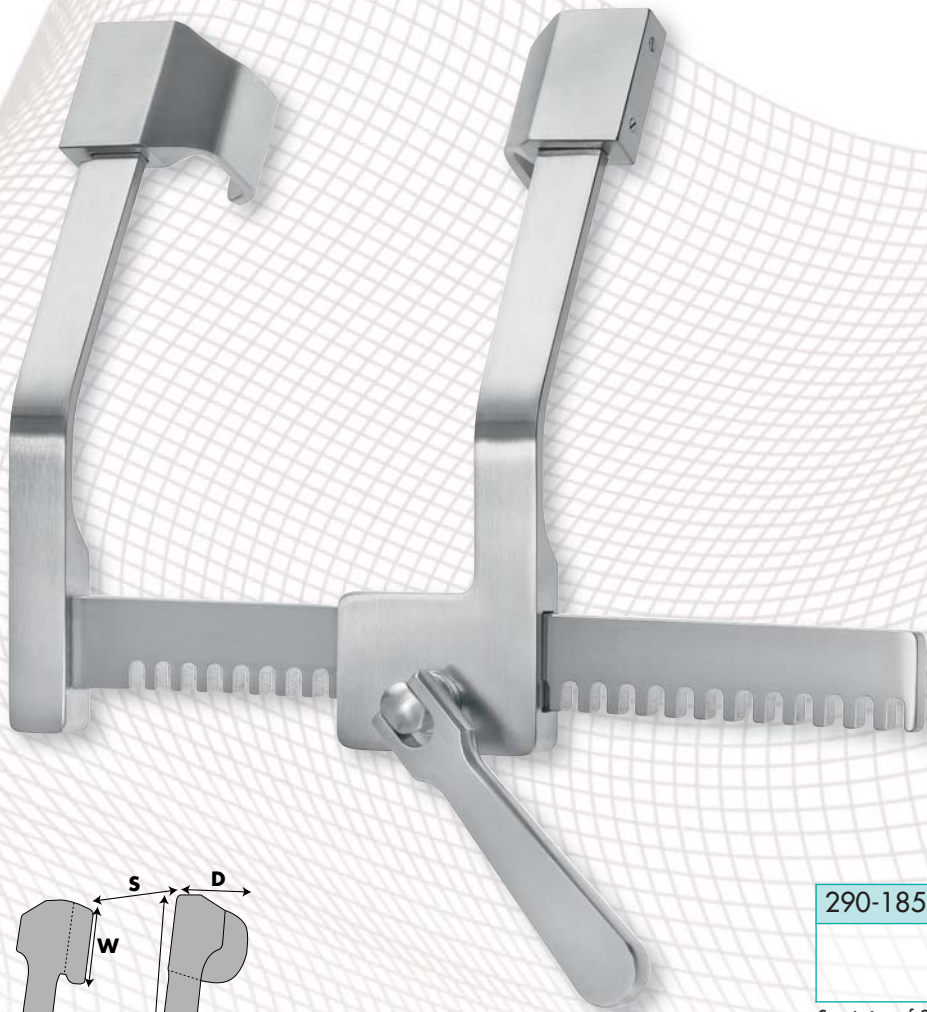
DEBAKEY

290-180-001	DeBaKey Child, incl. 3 paired valves			
	S	L	W	D
	152mm	144mm		

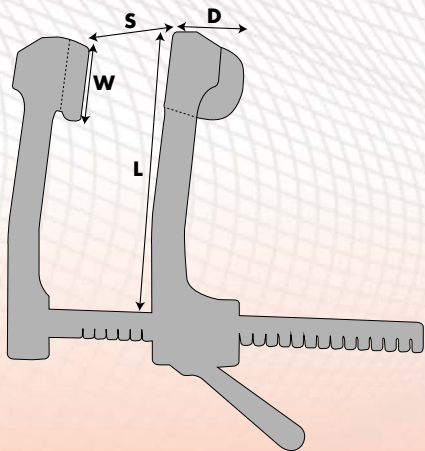
Consisting of 290-180-030 to 290-180-050

	Spare Valves, paired			
	S	L	W	D
290-180-030			30mm	30mm
290-180-040			40mm	40mm
290-180-050			50mm	50mm





DEBAKEY



290-185-220	DeBakey, incl. 3 paired valves			
	S	L	W	D
	192mm	153mm		

Consisting of 290-185-030 to 290-185-050

	Spare Valves, paired			
	S	L	W	D
290-185-030			30mm	30mm
290-185-040			40mm	40mm
290-185-050			50mm	50mm

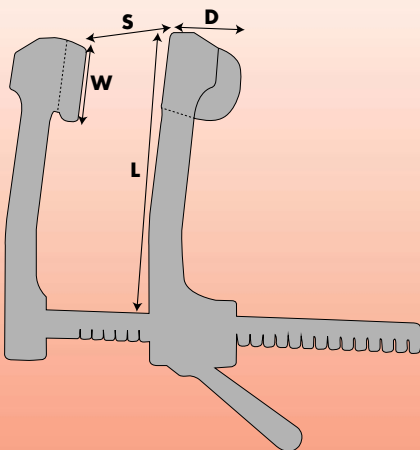
RZ CARDIAC RETRACTORS



DEBAKEY

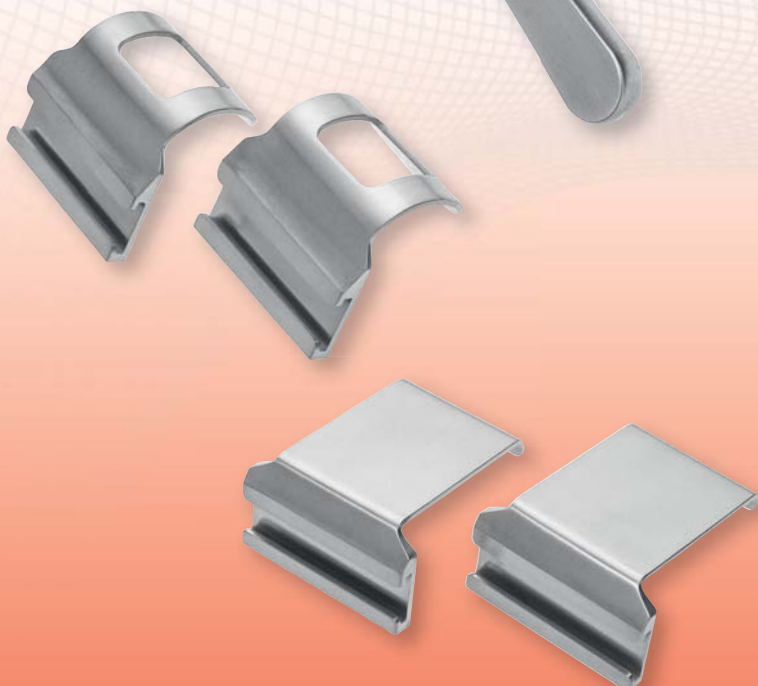
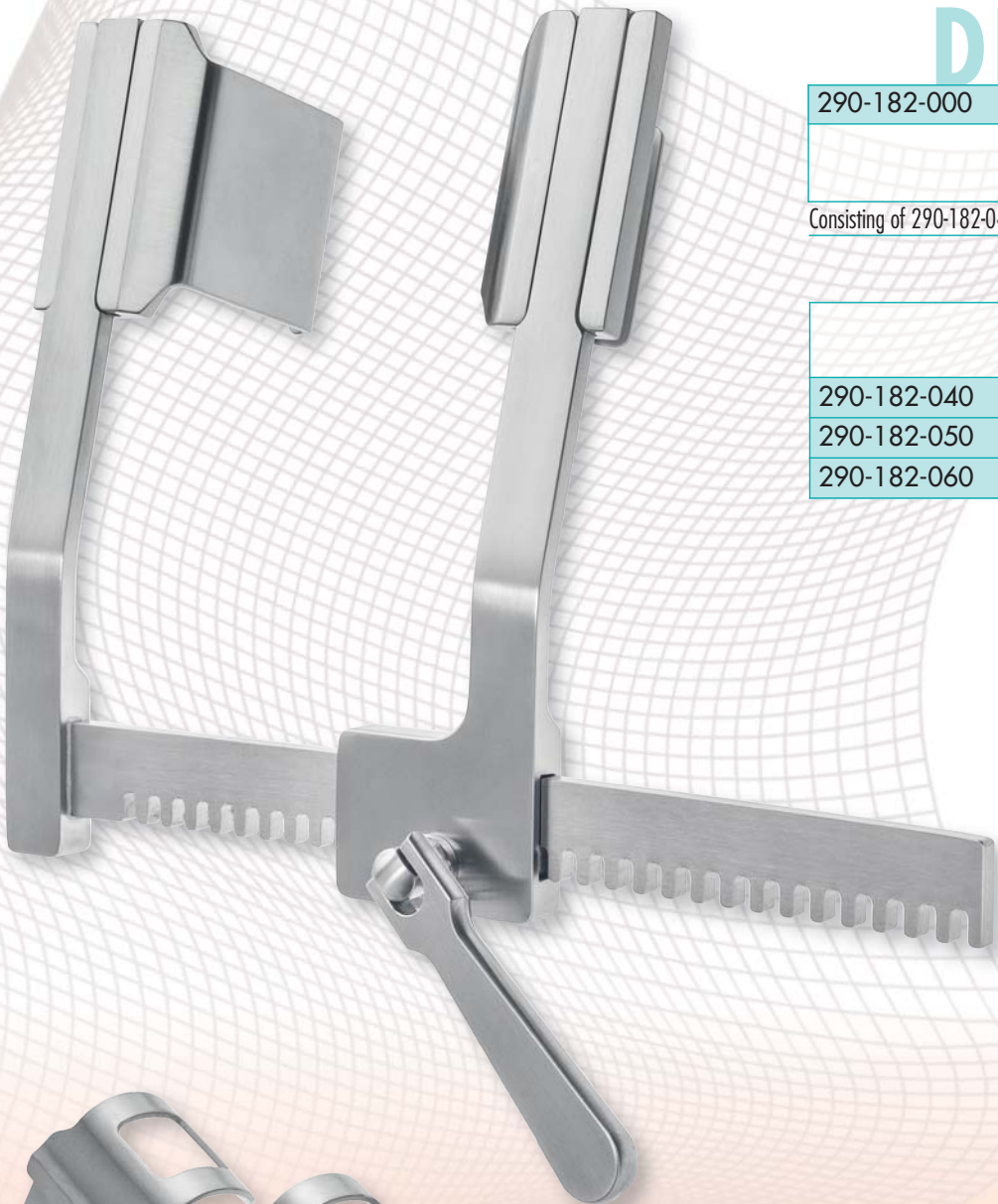
290-185-285	DeBakey, incl. 3 paired valves			
	S	L	W	D
	240mm	170mm		

Consisting of 290-185-030 to 290-185-050



	Spare Valves, paired			
	S	L	W	D
290-181-060			60mm	60mm
290-181-050			80mm	50mm
290-181-040			100mm	40mm

DEBAKEY



290-182-000	DeBaKey, incl. 3 pair valves			
	S	L	W	D
	241mm	189mm		

Consisting of 290-182-040 to 290-182-060

	Spare Valves, paired			
	S	L	W	D
290-182-040			40mm	100mm
290-182-050			80mm	50mm
290-182-060			60mm	60mm

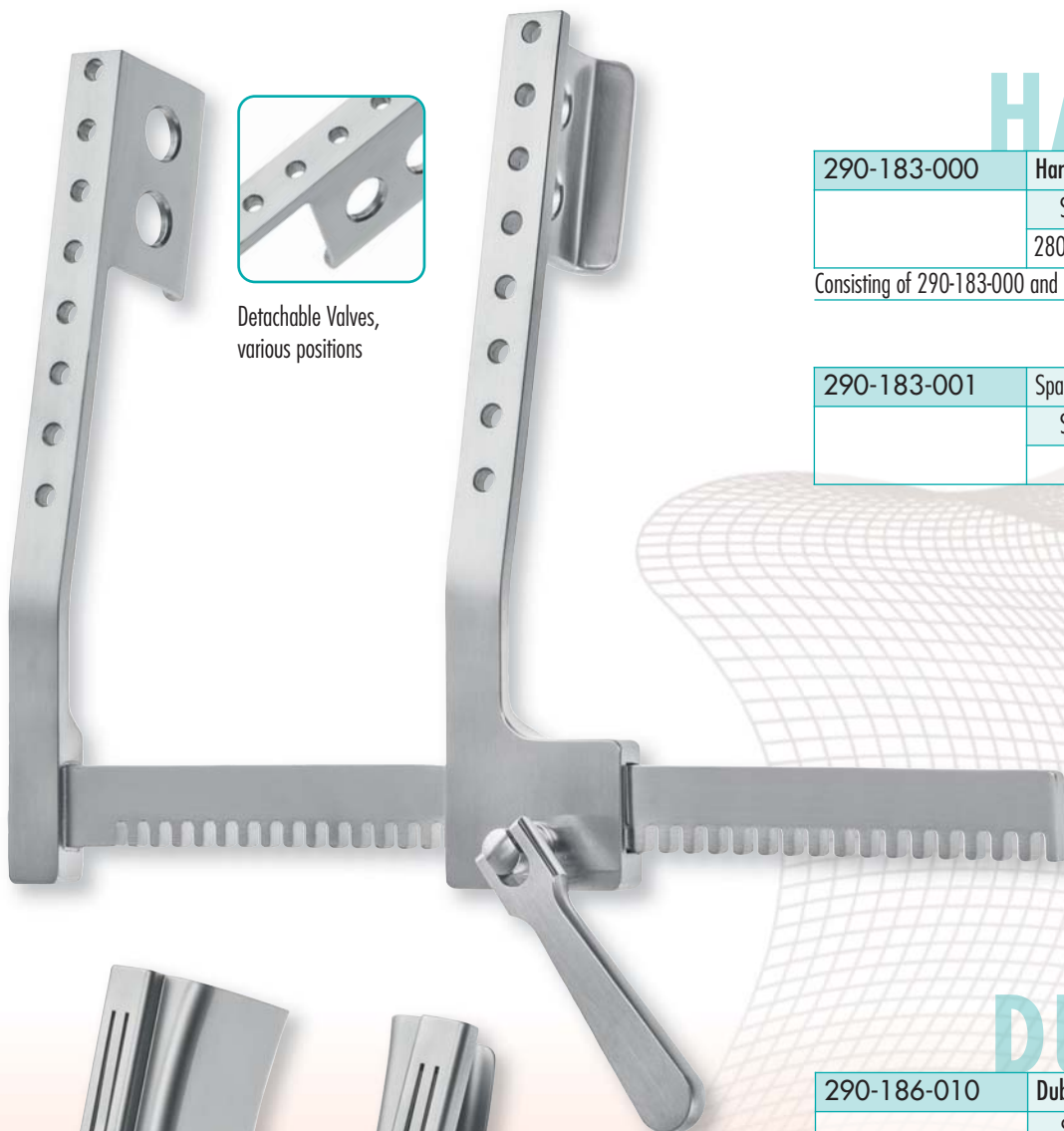
Optional:

290-181-070	Spare Valves, paired, fenestrated			
	S	L	W	D
			60mm	50mm

290-181-080	Spare Valves, paired			
	S	L	W	D
			60mm	80mm

RZ CARDIAC RETRACTORS

HARKEN



Detachable Valves,
various positions

290-183-000	Harken incl. 1 paired valves			
	S	L	W	D
	280mm	210mm	65mm	49mm

Consisting of 290-183-000 and 290-183-001

290-183-001	Spare Valves, paired			
	S	L	W	D
			50mm	47mm

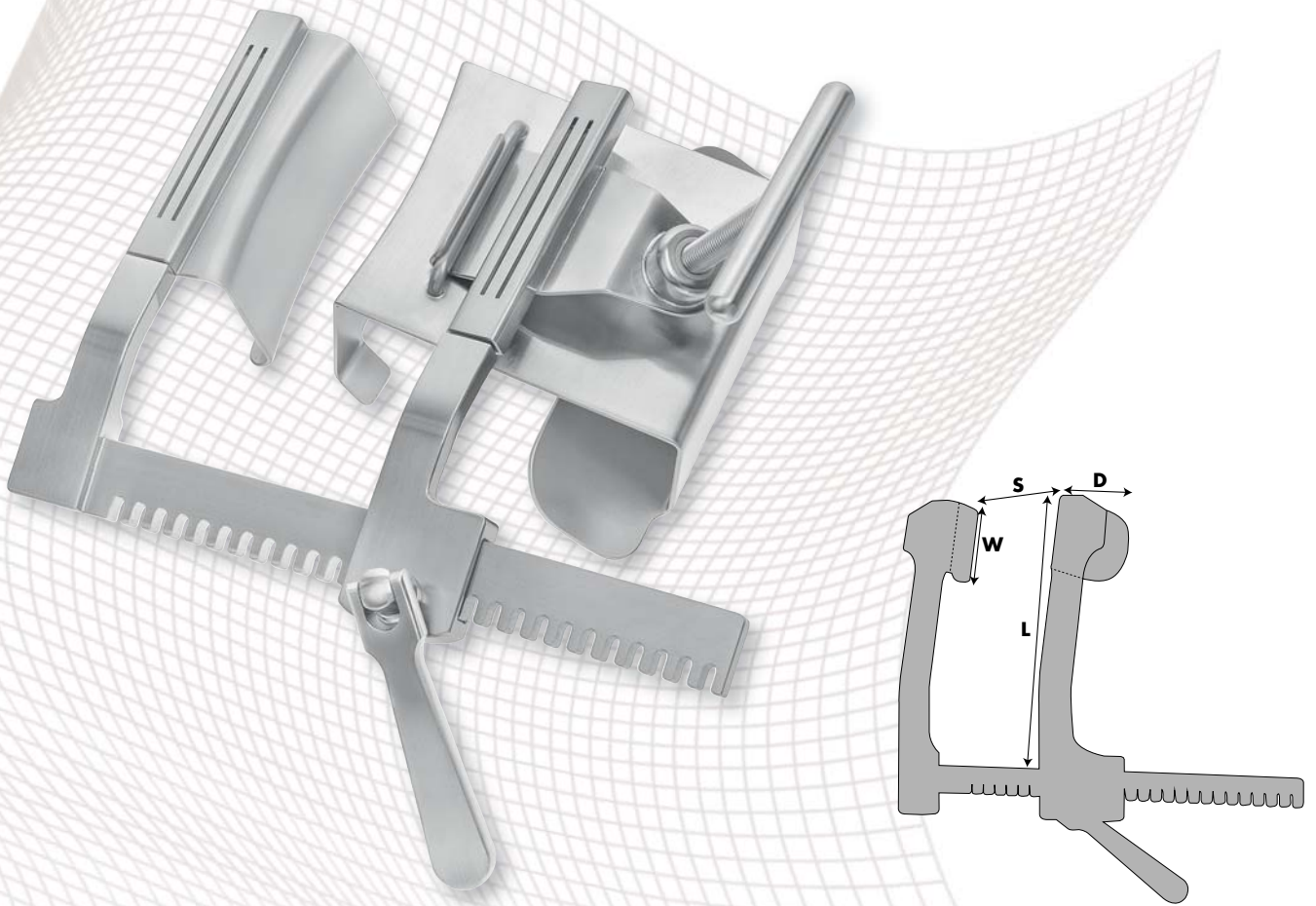
DUBOST



290-186-010	Dubost, incl. 3 paired valves			
	S	L	W	D
	160mm	140mm		

Consisting of 290-186-011 to 290-186-013

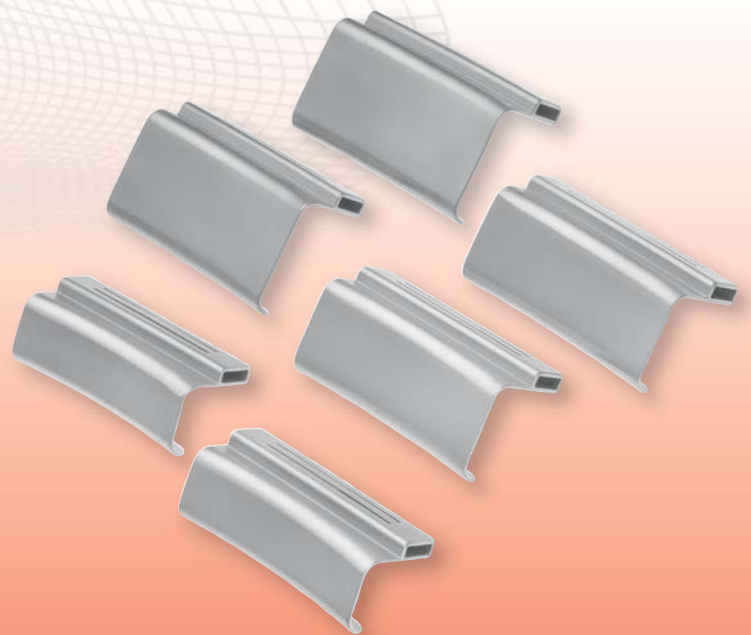
	Spare Valves, paired			
	S	L	W	D
290-186-011			100mm	30mm
290-186-012			100mm	40mm
290-186-013			100mm	50mm



DUBOST

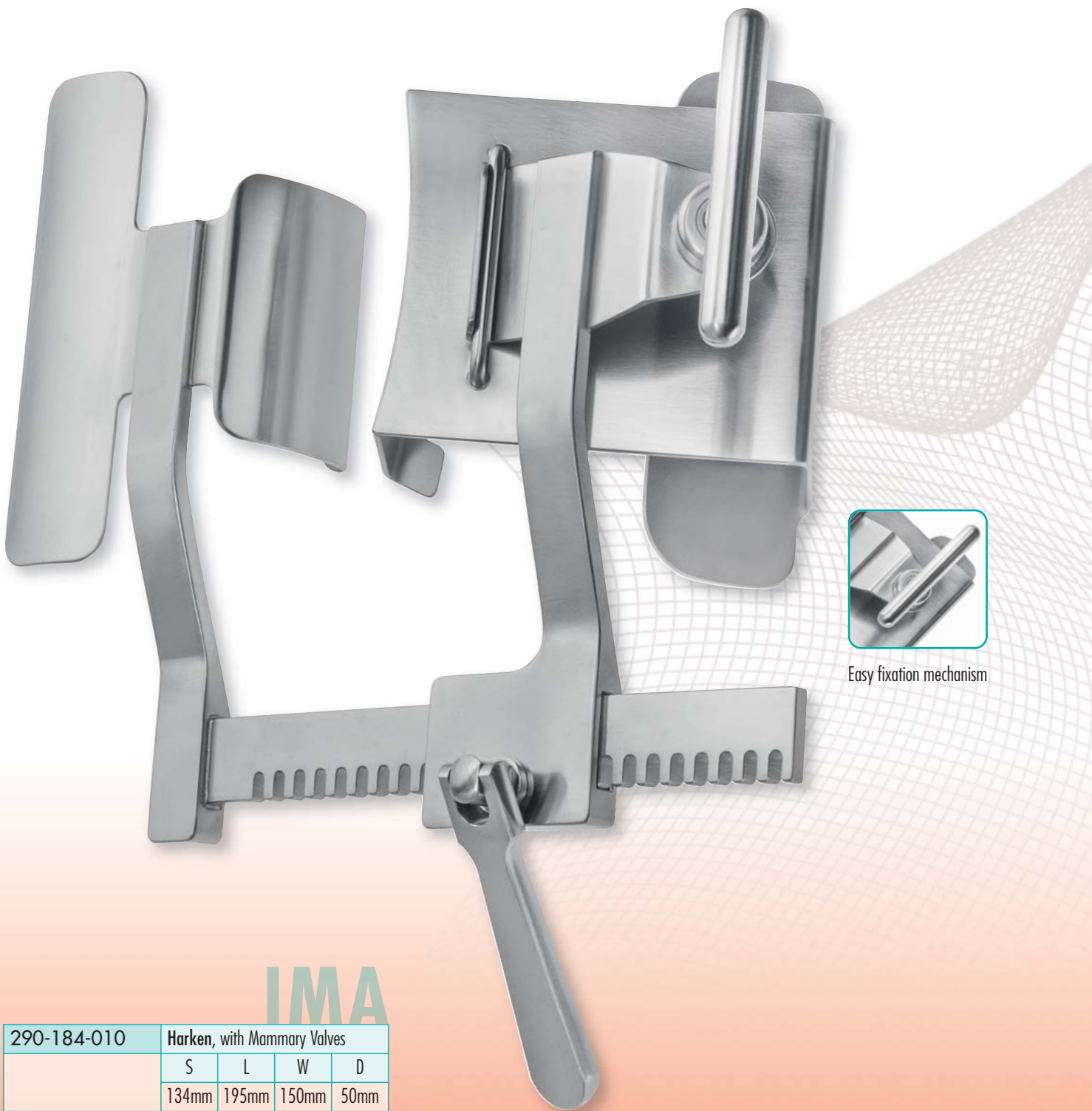
290-186-000	Dubost, incl. 3 paired valves, Fixation and Mammary Valve			
	S	L	W	D
	160mm	140mm		

Consisting of 290-186-011 to 290-186-013



	Spare Valves, paired			
	S	L	W	D
290-186-011			100mm	30mm
290-186-012			100mm	40mm
290-186-013			100mm	50mm

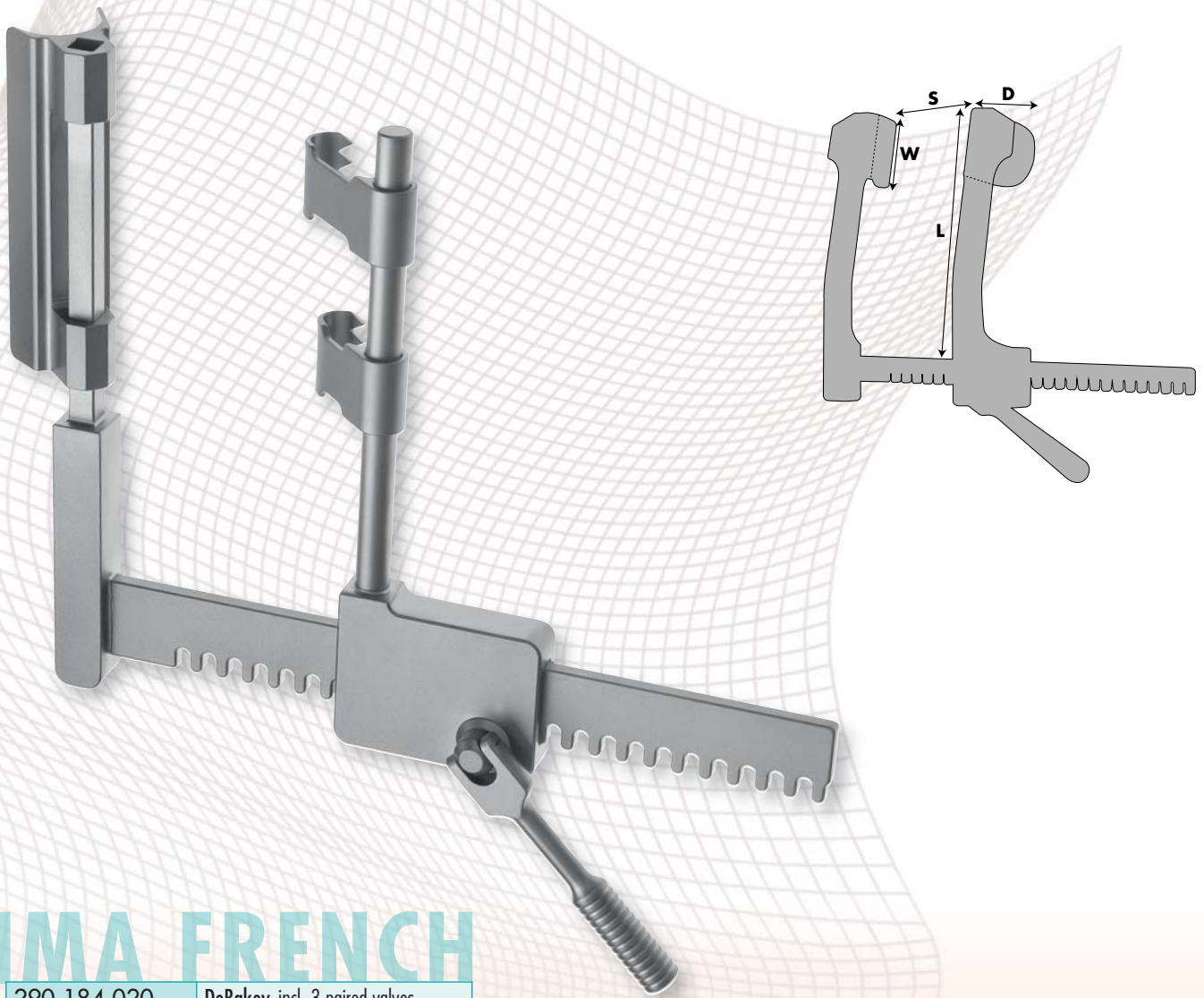
RZ CARDIAC RETRACTORS



Easy fixation mechanism

IMA

290-184-010	Harken, with Mammary Valves			
	S	L	W	D
	134mm	195mm	150mm	50mm



IMA FRENCH

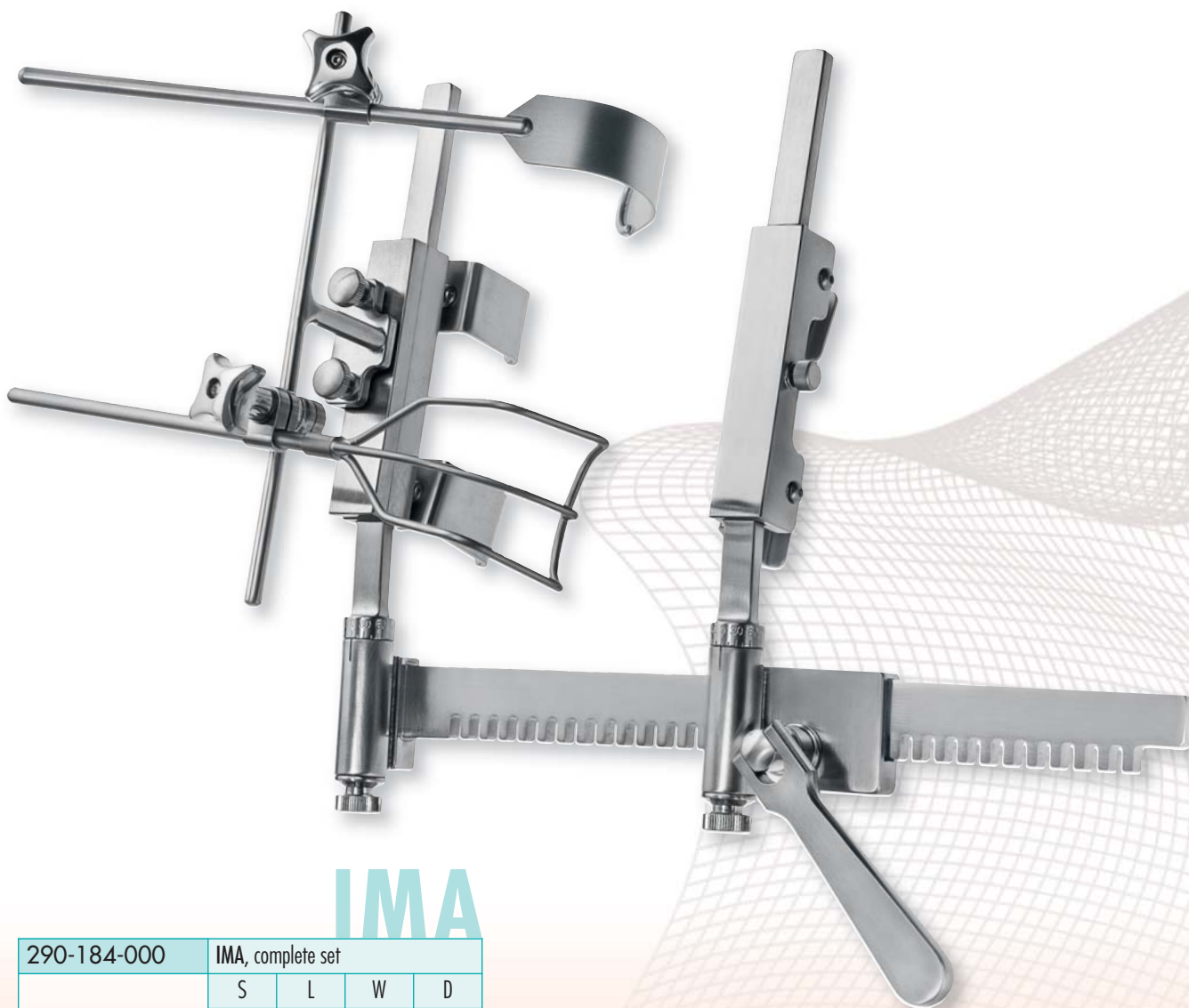
290-184-020	DeBakey, incl. 3 paired valves			
	S	L	W	D
		150mm		

Consisting of 290-184-021 and 290-184-023

	Spare Valves, paired			
	S	L	W	D
290-184-021			50mm	22mm
290-184-022			40mm	22mm
290-184-023			100mm	



RZ CARDIAC RETRACTORS

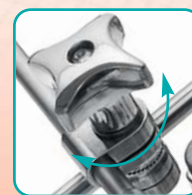
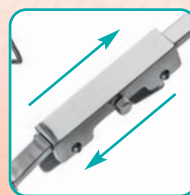


IMA

290-184-000	IMA, complete set			
	S	L	W	D
	230mm			

Accessories:

- Frame with arms
- 290-184-001 Double fixation valves
- 290-184-002 Double fixation valves with notch for fixation to T-track
- 290-184-003 T-clamp
- 290-184-004 Universal clamps
- 290-184-005 Cooley small valves retractors, 25mm
- 290-184-006 Cooley medium valves retractors, 40mm
- 290-184-007 Cooley large valves retractors, 50mm
- 290-184-008 Ribbon malleable valves



QUERVAIN

290-190-000	Quervain			
	S	L	W	D
	160mm			

Consisting of 290-190-001 to 290-190-006

	Spare Valves, paired			
	S	L	W	D
290-190-001	left		50mm	70mm
290-190-002	right		50mm	70mm
290-190-003	left		70mm	70mm
290-190-004	right		70mm	70mm
290-190-005	left, curved		70mm	70mm
290-190-006	right, curved		70mm </td <td>70mm</td>	70mm

