



Product Specification
Getinge Aquadis 56
56M, 56A
Washer-Disinfector

Contents

Product Details	3
Technical Data and Drawings	15
Order Information.....	19

Getinge Aquadis 56 56M, 56A Washer-Disinfector

Product Details

Application

The Getinge Aquadis 56 Washer-Disinfectors include two different models: 56M with Manual folding door and the 56A with Automatic sliding door. This product specification addresses both models.

Due to the efficient dual pump circulation system that enables the use of less water, the Getinge Aquadis 56 Washer-Disinfectors ensure effective cleaning and disinfection with a high capacity (up to 12 DIN trays), a low media consumption and short process times.

The Getinge Aquadis 56 Washer-Disinfectors support the awareness of environmental impact and increase the productivity by providing advanced capabilities with options like automatic cycle selection, air barrier, dynamic detergent dosing, ECO cycle and media consumption reporting.

Intended use

The intended use of this washer-disinfector, including approved accessories, is to clean, disinfect and dry reusable medical items. The device is not intended to clean and disinfect invasive devices as end-point processing.

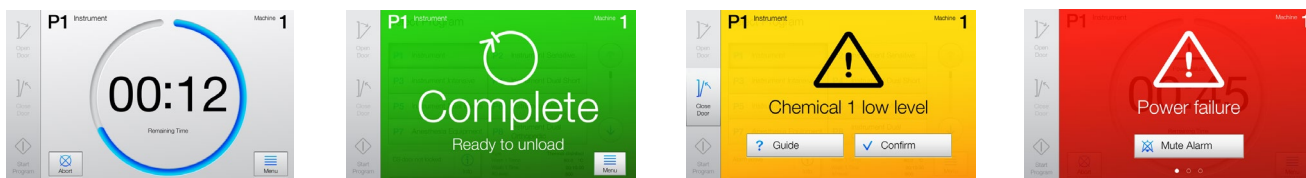
Standards and codes

The Getinge Aquadis 56 Washer-Disinfector complies with:

- MDR 2017/745/EU Medical Device Regulation
- MD 2006/42/EC Machinery Directive (Safety)
- EMC 2014/30/EU Electromagnetic Compatibility Directive
- IEC/UL/CSA 61010-1 Safety requirements for electric equipment
- IEC/UL/CSA 61010-2-040 Safety requirements for Washer Disinfector and Sterilizers
- ETL Certified: tested by an OSHA accredited test lab for safe use
- EN/ISO 15883 Parts 1,2,5,6 & 7 Machine and Process design
- ANSI/AAMI ST15883 Part 1 & 2 Machine and Process design
- WEEE 2012/19/EU Waste Electrical and Electronic Equipment Directive
- REACH 1907/2006/EU Registration, Evaluation, Authorization and Restriction of Chemical substances.
- RoHS 2011/65/EU+ 2015/863/EU - Restrictions of Hazardous Substances (Electrical products)
- ISO 14001 Environmental Management System
- EN1717 Water intake backflow prevention design
- ASME A112.1.2 Water intake backflow prevention design
- DVGW product certificate for water intake backflow prevention design
- CBC 2016, seismic anchorage design according to the California Building Code and an OSHPD OPM, preapproval certificate: "OPM-Aquadis 56". Note that additional accessories for anchorage are required.

Key features

- High throughput with a small footprint, with up to 12 DIN trays. Width 650 mm (25 9/16 in) ensures maximized utilization of the available space.
- A dual pump system enables the highest cleaning efficacy with the lowest possible water usage. Shorter process times are achieved by reducing the fill, drain and heating times required for the wash and rinse phases.
- Pressure monitoring of the process water in the circulation loop ensures the correct water pressure for a proper cleaning performance.
- A variable speed fan, with low energy consumption, optimizes the drying performance and reduces the drying time for surgical instruments.
- A sensitive (ECO) cycle can be selected for a lower media consumption and noise level.
- The Aquadis 56 wash carts have removable spray arms and shelves adaptable to different load heights and incorporated accessories for cleaning lumen/cannulated/laparoscopic instruments.
- The 56M model has a large-view, manual folding glass door.
- The 56A model has a full-view, power automatic vertical sliding glass door.
- Double door, pass through models may be selected for both models (option).
- The Washer-Disinfector is operated from a 7", color touchscreen. The pass-through models are equipped with touchscreens on both the soiled and the clean side.
- The docking interface is optimized for use with the Aquadis 56 loading trolleys, providing both ergonomic and efficient loading/unloading.



Design features

Manual folding door (56M)

In this model the folding door provides a comfortable loading/unloading platform without the need of trolleys while loading the wash cart into the chamber, making the logistics layout simple and affordable. The specific loading trolley enable exchanging between different wash carts, which gives access for daily maintenance of the chamber filter.

Automatic vertical sliding door (56A)

This model with the Smart loading trolley-docking interface allows for a convenient loading/unloading and switch between different wash carts. The loading trolley is required for loading of wash carts into the chamber.

The electric motor that automatically closes the door with a vertical movement also puts horizontal pressure on the door locks without bending or pulling the gasket. The movement is reversed when the door is opened and the door is then first released from the gasket before the door starts to move downwards.

View in process (VIP)

The glass door on both the soiled and the clean side allows personnel to observe the inside of the chamber. The control panel is placed above the door, which enables the operator to see the load when closing the door to start a program.

Pass-through models - double doors (option)

Doors on both sides of the chamber promote a convenient and aseptic load flow from the soiled work area to the clean inspection and pack area. Door interlocks assure a barrier wall integrity by allowing only one door at a time to be open.

Debris filters

The debris filter (mesh size 0,7-1 mm aperture, wire 0,3 mm), located at the bottom of the chamber, is easily accessed and removed for manual cleaning. A gross debris filter (mesh size 1,6-1,9 mm aperture, wire 0,5 mm) is available as an accessory. Both filters are made of EN 1.4401/ASTM 316 stainless steel.

Detergent flow monitoring

Detergent flow monitoring ensures accurate chemical dosing for each cycle.

Note! A high chemical viscosity can affect the performance of the flow meters, see the separate Technical data sheet for the acceptable range.

Process heating elements

The process water from the circulation pump passes powerful water heaters (electric or steam) which quickly raises the process water temperature to a specified setpoint. The heaters are integrated in the sump of the chamber.

The powerful steam heating elements, with high energy and heat velocity, greatly reduces the heating time. Two electrical heating models are available. One element (standard) or a high-speed turbo heating with two elements (option).

A combined steam/electrical heating model is also available, workings seamlessly between steam and/or electrical heating. This is a good choice if the unit is to work independently, or if the in-house steam supply is down.

Dryer fan motor with speed control

Fresh air is pulled into the dryer unit by a powerful speed controlled fan. The fan's brushless motor produces no carbon dust that contaminates the air filters and the heating elements, resulting in a longer fan life and lower maintenance costs. The speed control makes it possible to enable sensitive programs with lower energy usage and sound levels.

Drying heat exchanger and HEPA filter

The incoming air, used for drying the load, is preheated by hot air from the chamber, which passes through an air-to-air heat exchanger. After the heat exchanger, the air is purified via an H14 HEPA filter and then passes through the electric heaters, before returning to the chamber through the circulation system. In the chamber, the rotating spray arms are used to distribute the hot air on the load. Preheating the air reduces the energy consumption required to achieve the correct drying temperature. The heat exchanger not only saves energy, but reduces the amount of humid air going out to the building ventilation system, and the condensate collected is sent to the drain box.

Drain pump

The process water from the wash chamber drains into the sump and is pumped to the drain box (water trap) and out through the building drain system.

Drain cooling (option)

Before the hot process water enters the building drain system, cold water is automatically injected into the water trap to reduce the temperature to 60°C (140°F) or less. If the condensate cooling kit is used for steam-heated units, the steam condensate is sent to the water trap for cooling down with cold water.

Deionized water (DiW) valve (option)

When treated water is used for the final rinse phase (disinfection), an additional water valve with a flow restrictor is mounted on the DiW supply. This is used to reduce the flow rate to 22 L/min (6 gal./min) or less. The reduction in the flow brings down peaks in the water treatment supply system, which could save installation and running costs.

Note! Treated water is purified water, for example Deionized water or RO water.

Process report (option)

The cycle printouts (batch reports) from the washer-disinfector can be stored on a USB stick or printed out on the built-in printer or on a network printer.

Note! One type of method to save process reports is necessary to fulfill the EN/ISO 15883 requirements

Printer (2") built into control panel (option)

Program performance data is printed during the program and at cycle completion. A printed process report includes program number, program start date and time, phase transition points, disinfection level A_0 and a list of program alarms triggered during the program. In case of a printer failure during a program, the control system stores the last process report. The stored report can be printed on demand.

Air barrier (option)

For pass-through models recessed in a wall, an additional sealing at the clean side improves air separation between the soiled and clean side. This helps building ventilation to maintain differential pressures, reducing the risk of airborne cross-contamination between the soiled and clean departments (barrier wall).

Note! See the separate Technical data sheet for more information.

Supervisor (option)

The supervisor is an independent and additional control system for monitoring critical process parameters, such as the pump pressure, temperature and detergent flow. Conductivity monitoring can be selected independently in the order sheet. When selected it is included in the supervisor. The option is available to meet certain local guidelines and market requests.

Automatic cycle selection (option)

A built-in barcode scanner detects and reads the unique barcode labeled on each wash cart and the right program is automatically selected and started. The automatic cycle selection is only available for the 56A (with the automatic vertical sliding door).

Valve for water analysis (option)

At the bottom of the chamber (sump) a ball-valve grants access to water for analysis of the process water from the different phases. The valve is accessible via the detergent compartment.

UK 230 VAC socket (option)

The kit includes a UK power outlet socket at the soiled side and machine stop buttons at both the soiled and the clean side. The outlet is protected by a 10 A fuse and a 30 mA residual current device (RCD). This kit is only available for the UK with 400 V, 3N+PE, 50 Hz.

Note! Only use the electrical outlet with computers or validation equipment.

Alarm buzzer (option)

A standard alarm buzzer is embedded in the control panel, and has a fixed sound level. For adjustable sound levels (0-85 dB), the optional alarm buzzer needs to be selected.

Control system features

The G1 control system features:

- Integral process monitoring (key program parameters and integral machine functions)
- Alarm for malfunctions
- Network or USB storage of reports (option)
- Network printing of process reports (option)
- DRAM 256Mbyte RAM CPU processor (no battery replacement required)
- Digital and analogue inputs and outputs for machine control
- RS-232 COM port for serial communication with the optional panel printer
- Customized program availability
- Copy/renaming functions (programs)
- Capability for up to 99 individual programs
- Supervisor control system for parallel monitoring of critical process parameters (option)
- Ethernet port to enable Getinge connectivity products:
 - Communication with Getinge Online (real-time and historical information of machine performance and wash process)
 - Communication with T-DOC independent Traceability and management system
- Potential free contacts for machine status

Control panel with a Centric 7" touchscreen

The machine is controlled and operated from a durable, 7" color, backlit touchscreen, located on the soiled side, above the chamber door. A screen saver extends the life of the touchscreen. The touchscreen is reactivated and lit up by tapping anywhere on the screen. The control panel can be operated with protective gloves, and can be cleaned with alcohol based cleaners.

By default, the touchscreen displays program information during a program. A more detailed view of program parameters can be set by the operator. The operator panel guide the users in the local language to correct warning and alarms.

Double door pass-through units are equipped with two control panels (soiled side and clean side). Each control panel is located above the door. The soiled side touchscreen includes all necessary functions for easy operation of the washer-disinfector. The process can be hold/aborted via the touch panel from both sides (for pass-through models).



Standard safety features

Laminated safety glass doors

Laminated layers of safety tempered glass provide clear visibility from the soiled and the clean side of the chamber. The laminated glass provides excellent sound and thermal insulation, and serves as an extra safety precaution for the operator.

Illuminated chamber

The wash chamber is lit by an LED light, during operation.

Door obstruction closing (56A)

If the moving door encounters an obstruction while closing, the door will stop. The door can be closed again when the obstruction has been removed.

Door interlock

During normal operations, the control system permits only one door to be open at a time. The alternating door operation helps to maintain the barrier wall integrity.

Low level alarm for chemicals

When chemical level in a container is too low, a sensor in the suction tube alerts by displaying a low chemical alarm on the touchscreen. The chemical container must be replaced or re-filled before subsequent cycles can be run. When the low level sensor is activated, the Washer-Disinfector can be programmed to run additional cycles.

Once a low chemical warning is initiated and the additional cycles have been run, the control system prevents subsequent cycles from being run before replacing or refilling the chemical container.

Program and cycle description

Factory default programs are included for providing effective cleaning for different types of loads. The phase content and repetition are specific to each of the different programs. Detailed information about the programs can be found in separate program sheets.

Dual pump circulation system

The Getinge Aquadis 56 is equipped with a dual pump system that enables the highest cleaning efficacy with the lowest possible water usage. To enable adaptation to each different cycle for the highest efficiency, two different pump systems feed water to the spray arms in the chamber, wash carts and the connections for lumen instruments. The circulation pump controlling the spray arms on the wash cart is equipped with speed control that improves the flexibility and saves water. Low water usages reduces the fill, drain and heating times required in both the wash and rinse phases, hence shorten process time.

The two pump circulation systems work intermittently with on/off and different speeds to optimize water usage versus circulation flow and pressure.

Pre-rinse

The chamber is filled with cold water, and the pump starts to circulate the water. The water is forced into the spray arms and sprayed on the entire load without damaging sensitive instruments or displacing items.

Wash

The chamber is filled with the required volume of selected water (normally blended CW/HW) for the selected program. When the water circulates, the heating begins. When the selected temperature is reached, a peristaltic dosing pump automatically adds a specified amount of chemical cleaning agent. Once the set point temperature is reached, the control system maintains the correct temperature for the selected time in each individual program.

Post rinse

The chamber is filled with hot water. The water is forced into the spray arms and sprayed on the entire load.

Final rinse/disinfection (thermal disinfection)

The chamber is filled with water (DiW, RO etc.) and when the water starts to circulate, it begins to heat. If a lubricant or rinse aid is selected, it is dosed when the desired temperature is reached. The chamber continues to heat to the set disinfection temperature and maintains that temperature until the disinfection value is reached.

The disinfection parameters (temperature and time) can be pre-set or automatically calculated to achieve a selected value; A0 600 or A0 3000, all in accordance with EN/ISO 15883. In programs intended for surgical instruments, the temperature is set to 90 °C (194 °F). The process report for each load shows the level and method of disinfection.

Drain

When the wash and rinse phases are completed, the waste water from the chamber is pumped to the drain box where, if the drain cooling option is selected, cold water is added to the water trap before discharging the waste water to the building drain system.

Drying

Brushless, variable speed fan motors draw air through an air-to-air heat exchanger. The air is forced through the H14 HEPA filter and then through the electric heaters, before entering the chamber. Once the set drying time has elapsed, the cycle is complete and the door can be opened. On double door 56A the clean side door is, as default, for automatic opening (Manual opening can be selected).

Post-drying

The dryer continues at a low speed, without heating power on the element, to evacuate the hot humid air from the chamber. After a preset time or immediately when someone opens the door, the dryer stops. This improves the drying of the load, and reduces the humid and hot air coming out of the chamber.

Accessories

Wash carts, wash racks

Load carriers used inside the chamber on which the processed instruments are placed. These accessories come in a variety of capacities and there are specific carriers for specific instruments. See the Product Specification for Wash carts, wash racks.

Condensate cooling unit (CCU)

The intended use of the Condensate cooling unit (CCU) is to reduce the amount of moisture and temperature in the air from Washer Disinfectors. The use of CCU enables installations with no dedicated ventilation above the unit. The condensate cooling unit uses cold water to condensate the outgoing humid air from the exhaust. The condensate and waste water goes into the drain box and out into the building drain system.

Steam condensate cooling kit

For steam-heated units, where the steam condensate is not connected to the building return system, this kit is used to cool down the condensate, before it enters the building drain system. This is only required if the drain temperature is restricted to a maximum temperature of 60°C (140°F).

Note! This kit requires the optional drain cooling.

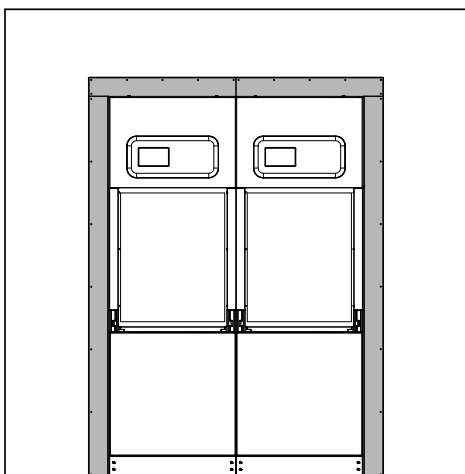
Seismic Anchorage kit

The brackets in this kit are used for anchoring of the washer-disinfector to the floor, in accordance with the California building code for seismic requirements.

Trim panels for recessed units in walls

Trim panels are cover plates placed around the unit(s) and the wall opening to give the machine a nicer appearance, but the seal on each trim panel also improves the air barrier by reducing air leakage between the departments. Trim panels are available in sections 1-4 slots¹. The image shows an example with two machines seen from the clean side.

¹Trim panels for more machine slots are available on request.

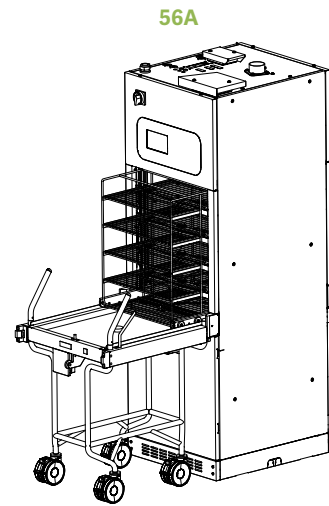
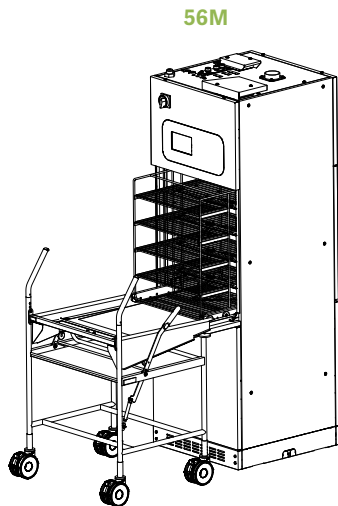


Loading trolleys

The manual folding door on the 56M model serves as the loading table for the wash cart while loading and unloading. The loading trolley is not required for loading the washer-disinfector, only while exchanging different type of wash carts.

For the 56A model with automatic sliding doors, the loading trolley is required at every load and unload of the wash cart.

The loading height is 800 mm.

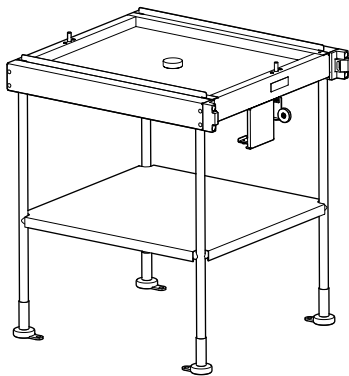


Storage table for 56M and 56A

Storage tables used for storage of wash carts when not in use. The loading trollies for 56M and 56A are adapted for transfer of wash carts to the storage table.

The storage tables are made of high-quality stainless steel, and have automatic protection to prevent wash carts to accidentally falling off

Several storage tables can be placed in parallel against a wall, or in a line to create a transfer table.



Materials

The wash chamber is made of EN 1.4404/ASTM 316L bright annealed stainless steel. The exterior panels are made of EN 1.4301/ASTM 304 grinded stainless steel.

The door is made of temper-hardened glass with an air gap in the center. Debris filter screens are made of ASTM 316 stainless steel.

The loading trollies and storage table are made of EN 1.4301/ASTM 304 stainless steel.

Standard features (no selection needed)

Note! To fulfill EN/ISO 15883, one of the process (batch) reports need to be selected and included in the unit, see "Optional features (selection needed)" on page 13.

- Control panel with a 7" color touchscreen
- Single door operation
- Tempered glass door with View In Process
- Premium design Chamber in bright annealed stainless steel EN 1.4404/ASTM 316L
- Framework in galvanized steel
- Dual pump circulation system
- Drain pump to allow fast draining from the chamber
- Electrical heating of the water in the sump
- Easy to clean fine debris filter in chamber, 0.7-1 mm (0.028-0.039") mesh size
- Pressure monitoring of the process water to detect foaming or leakage
- Dryer with an electrical heater and a heat exchanger
- Dryer with H14 HEPA filter and pressure monitoring
- Air-gap according to EN1717 and ASME 112.1.2
- 2x detergent dosing pumps
- Detergent flow monitoring of the dosing pumps
- 2x suction lances for 5 L (1 gal.) detergent containers
- Lockable detergent compartment with space for up to 4x 5L detergent containers
- Adapted for CMS detergent management system (central distribution) with allocated space for cables and hoses
- Electrical and network connections from the top of the unit
- CW and HW inlet top mounted connections
- Dynamic water filling, with optimal filling of water each time
- Efficient heating insulation for the chamber, pipes and heating system
- Line breaker for the main power at the front of the machine (loading side)

Optional features (selection needed)

Note! To fulfill EN/ISO 15883, one of the process (batch) reports need to be selected and included in the unit, see the following pages and the order sheets.

- Pass-through model (double doors)
- Electrical turbo heating of water in the sump with 2 x heating elements for higher heating velocity (shorter process time)
- Steam heating of water in the sump for fastest heating velocity (shortest process time) (Steam connection always from the bottom of the unit)
- Combined electrical and steam heating of the water in the sump (1 x electrical and 1 x steam element)
- Additional detergent dosing pumps 3+4 with detergent flow monitoring
- Built-in scanner (only available for 56A)
- Floor utility connections for water
- Deionized water (DiW) valve (e.g. Deionized or RO water)
- Supervisor with additional control system
- Drain cooling for maximum 60 °C drain temperature
- Conductivity monitoring of final rinse water
- HMI and process report with additional language
- Air barrier at clean side for pass-through models
- Process report alternatives (required for EN/ISO 15883)
- Dynamic dosing of detergent in relation to water usage with flowmeter
- Media consumption per cycle on batch report (included in above dynamic dosing of detergent option)
- Valve for water analysis from chamber
- Additional alarm buzzer with adjustable noise level
- UK socket in front panel, loading side
- Guide rails for the upper cart (used together with the basic wash cart)

References

Documentation

The following documentation is available for the machine.

Documentation	Contents	Paper	Electronic media	Available languages
User manual	Instructions for daily use.	✓	✓	Local EU-language.
Installation manual	Instructions for assembly, installation and commissioning.	✓	✓	English, German, French or Swedish.
Quick Guide	Simple instructions for frequently performed tasks. Should be accessible and visible in the working area.	✓	✓	Local EU-language.
Declaration of Conformity	Declaration of Compliance with EU Directives.	✓	-	English.
Electrical diagrams	Collection of circuit diagrams.	-	✓	English.
Service manual	Instructions for service and preventive maintenance.	-	-	English, German, French or Swedish.
Spare Parts	List of available spare parts.	-	-	English.
Program sheets	Descriptions of Program groups (including programs and phases).	-	✓	English.
Installation drawings	Drawings for preparations and installation of the machine.	✓	✓	
Technical Data Sheet	Collection of technical data.	✓	✓	English.

✓ = included in machine delivery

All documents are available at Getinge Extranet.

Languages available for the Control panel

Bulgarian (bg)	Japanese (ja)
Chinese (zh)	Latvian (lv)
Croatian (hr)	Lithuanian (lt)
Czech (cs)	Norwegian (no)
Danish (da)	Polish (pl)
Dutch (nl)	Portuguese (pt)
English (en)	Portuguese-Brazil (pt-BR)
Estonian (et)	Romanian (ro)
Finnish (fi)	Russian (ru)
French (fr)	Serbian (sr)
German (de)	Slovak (sk)
Greek (el)	Slovenian (sl)
Hungarian (hu)	Spanish (es)
Icelandic (is)	Swedish (sv)
Italian (it)	Turkish (tr)

Getinge Aquadis 56 56M, 56A Washer-Disinfector

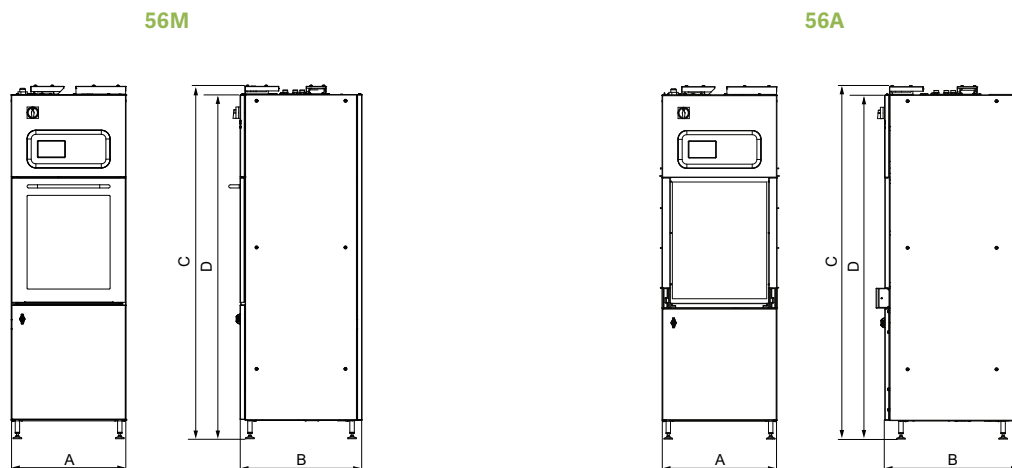
Technical Data and Drawings

Note! This document only contains an overview of product data and dimensions, for detailed information see separate technical data specification and installation drawing.

All measurements specified in mm and inches (inside square brackets).

Dimensions

Front/side view



External dimensions

	Measurement	56M	56A
A	External width	650 mm (25 9/16 in)	650 mm (25 9/16 in)
B	External depth	690 mm (27 3/16 in)	760 mm (29 15/16 in)
C	Total height	2000 mm (78 47/64 in)	2000 mm (78 47/64 in)
D	Unit height	1950 mm (76 49/64 in)	1950 mm (76 49/64 in)

Weight

	Measurement	56M	56A
	Total machine weight	232 kg (511 lb)	270 kg (595 lb)
	Total weight incl. water and load	332 kg (732 lb)	370 kg (816 lb)
	Maximum weight of wash cart and load	75 kg (165 lb)	75 kg (165 lb)

Package sizes and weights

	Measurement	56M	56A
	Transport package weight	37 kg (8 1.6 lb)	37 kg (8 1.6 lb)
	Transport package width	817 mm (32 11/64 in)	817 mm (32 11/64 in)
	Transport package depth	967 mm (38 5/6 in)	967 mm (38 5/6 in)
	Transport package height	2190 mm (86 7/32 in)	2190 mm (86 7/32 in)

Storage and transport conditions (all models)

Note! The machine must be kept in its package during storage and transport.

Maximum air humidity during transport and storage	90% at 30°C (86 °F)
Transport package width	-20°C - 60°C (-4°F - 140°F)

Consumption and emission

Water consumption per phases	16 – 28 l/phase (3.9 – 7.4 gal./phase)	Depending on load and process selected.
Electricity consumption	3.5 – 7 kWh	Depending on load and process selected.
Steam consumption	8.6 - 10.7 kg/process	Depending on load and process selected.
Maximum air quantity from unit	160 m ³ /h	During drying phase.
Maximum temperature from unit	90 C (194°F)	During drying phase.
Air humidity from unit	60-100%	During drying phase.

Getinge Aquadis 56 56M, 56A Washer-Disinfector

Order Information

About this form

This part of the document is an order form. Mark your selections.

- Standard selection (included in base price)
 - Optional selection (not included in base price, additional cost)
-

Customer reference

State project name, project No, customer name etc.

Documentation

State country for correct language in the enclosed manuals.

Language/control panel

Select the language for the touchscreen, from section "Languages available for the Control panel" on page 14.

Program group selection

HOSPITAL (general programs with thermal disinfection)

LAB (adapted for laboratory and Life Science)

Models

56M Manual folding door

56A Automatic vertical sliding door

Main voltage power supply

50 Hz units

415 V, 3N+PE, 50 Hz

400 V, 3N+PE, 50 Hz

380 V, 3N+PE, 50 Hz

230 V, 3+PE, 50 Hz

200 V, 3+PE, 50 Hz

60 Hz units

480 V, 3+PE, 60 Hz

400 V, 3N+PE, 60 Hz

380 V, 3N+PE, 60 Hz

240 V, 3+PE, 60 Hz

230 V, 3+PE, 60 Hz

220 V, 3+PE, 60 Hz

208 V, 3+PE, 60 Hz

200 V, 3+PE, 60 Hz

Note! Only one selection is possible.

Heating selection (sump)

The dryer is always electrically heated. For the sump heating in the chamber, select a method:

Electrical heating with one heating element

Electrical Turbo heating with two heating elements (the installation current is higher than for the standard heating)

Steam heating with bottom connection

Combined electrical and steam heating

Note! Turbo heating, with two electrical heating elements, has a faster heating velocity which shortens the process time.

Note! The steam connection is always from the bottom.

Model, chamber

Single door model

Double doors model (pass-through)

Upper guide rails (56M)

Guide rails are used in combination with upper wash carts. Base carts ordered as accessories and may not be used with OP wash carts.

No guide rails

Guide rails

Note! The spray arm in the chamber must not be removed in combination with upper wash cart on guide rails. Running the process without the spray arm may affect cleaning and disinfection performance.

Detergent dosing pumps

In the standard selection, two detergent dosing pumps with flowmeters are included. For additional chemicals/detergents, additional dosing pumps can be selected.

Dosing pump 1: Alkaline detergent. Dosing pump 2: Rinse Aid (used for lubrication)

Dosing pump 3 incl. flowmeter

Dosing pump 4 incl. flowmeter

Note! The following table shows the default factory settings. The settings can be changed to meet local requirements and adapt to other combinations of detergents or local settings.

Pre-configured Dose pump	HOSPITAL	USA	LAB
1 Detergent 1	✓	✓	✓
2 Rinse Aid	✓	✓	-
2 Neutralizer	-	-	✓
3 Detergent 2	-	-	-
4 Disinfection chemical	(✓)	-	-

- = Not used in programs ✓ = Used in programs (✓) = Used in hidden programs

Water connections

Top connections

Bottom connections

Deionized water valve (DiW)

No DiW connection

DiW valve

Drain cooling

No drain cooling

Drain cooling with 60 °C (140 °F) drain temperature

Valve for water analysis port

The valve for water analysis is a manual ball-valve.

No valve for water analysis

Valve for water analysis

Conductivity monitoring of final rinse water

The conductivity monitoring checks the final rinse water to secure that the conductivity level is not exceeded.

No conductivity monitoring

Conductivity monitoring of the final rinse water

Note! For a correct functionality the conductivity monitoring requires the DiW valve (option - see "Deionized water valve (DiW)" on page 21).

Dynamic detergent dosing and Consumption data on process report

The Dynamic detergent dosing measures the incoming water with a flowmeter and automatically adjusts the dilution of the detergent in relation to the water usage. The consumption data on process report is included in this option due to the water flowmeter.

Standard dosing of detergent

Dynamic dosing of detergent, incl. consumption data with process report

Note! This option is only compatible with the water connection from the top.

Process report

The process data can be printed out or stored on a USB memory stick. The information includes the program start date and time, the phase description, the disinfection time, the detergent/media consumption (only if the dynamic detergent dosing option is selected), the temperature and a list of the alarms triggered during a program.

No built-in printer

Built-in 2" printer on the soiled side (SS)

Built-in 2" printer on the clean side (CS) (only applicable for pass-through models)

No USB storage

USB storage, including a memory stick placed inside the detergent cabinet on the soiled side (SS)

No Network printing

Network printing

No network storage

Network storage

Note! Select any of the process report methods to comply with EN/ISO 15883.

Supervisor

The supervisor is an independent and additional control system for monitoring critical process parameters, such as the pump pressure, temperature and detergent flow monitoring.

No supervisor

Supervisor

Note! If required, select the Conductivity monitoring (option), see “Conductivity monitoring of final rinse water” on page 22.

Multi language HMI

Multi language enables on site selection of additional languages (touch screen and process reports). See section “Languages available for the Control panel” on page 14. With No multi language selected, the language is the same for control panel (HMI) and batch report (printout) and cannot be changed individually by the operator.

No multi language

Multi language

Automatic cycle selection

When loading a wash cart labeled with a barcode, the built-in barcode scanner automatically selects and starts the program according to the barcode. The automatic cycle selection is only available for the 56A (with the automatic vertical sliding door).

No scanner

Built in scanner for barcodes

Note! Barcodes and magnets for 5 wash carts are included in Option Automatic cycle selection. The barcodes and magnets are assembled on wash carts on-site.

Air barrier

For pass-through models recessed in a wall, an additional sealing at the clean side improves the air separation between the soiled and the clean side.

No air barrier

Air barrier for pass-through models

Note! See the separate Technical data sheet for more information.

Seismic Anchorage kit

The kit is approved according to the CBC regulations.

No Seismic anchorage kit

Seismic anchorage kit

UK Power Socket

The UK Power Socket is only available for the UK market (400V3N+PE, 50 Hz). The UK power outlet is mounted on the soiled side (SS) of the machine.

No UK power socket

UK power socket

Alarm buzzer

The standard alarm buzzer, embedded in the control panel, has a fixed sound level. For adjustable sound levels (0-85 dB), select the additional alarm buzzer.

No alarm buzzer

Additional alarm buzzer

Printed Technical documentation

The technical documentation is available in a digital format. For printed paper copies, select a language.

No printed Technical documentation

Printed Technical documentation (English)

Printed Technical documentation (Swedish)

Printed Technical documentation (German)

Printed Technical documentation (French)

Note! The Service manual is available in English, Swedish, German and French.
Drawing, Piping and Instrumentation Diagram (P&ID) are only available in English.

Accessories

Machine accessories

Article No	Description
6027813101	Condensate Cooling Unit (CCU)
6027949802	Debris filter (2 mm coarse) for chamber
6027164601	Loading trolley for the 56M (with manual folding door)
6027720301	Loading trolley for the 56A (with automatic vertical sliding door)
6027828701	Storage table (800 mm loading height)
6028236901	Cover trim panels for 1x Aquadis 56 unit (recessed in a wall)
6028236902	Cover trim panels for 2x Aquadis 56 units (recessed in a wall)
6028236903	Cover trim panels for 3x Aquadis 56 units
6028236904	Cover trim panels for 4x Aquadis 56 units
6027385675	Seismic anchorage kit
6002123402	Steam condensate cooling kit (the option drain cooling is required)
6028429301	Automatic cycle selection kit (magnets for 5 wash carts)

Note! For more detailed information on available accessories and wash carts, see separate documents.



Getinge is a global provider of innovative solutions for operating rooms, intensive care units, sterilization departments and for life science companies and institutions. Based on our firsthand experience and close partnerships with clinical experts, healthcare professionals and medtech specialists, we are improving the everyday life for people – today and tomorrow.

Legal Manufacturer:

Getinge Disinfection AB · Ljungadalsgatan 11 · 352 46 Växjö · SWEDEN · +46 10 335 98 00



Getinge Infection Control AB · PO Box 69 · SE-305 05 Getinge · Sweden · +46 10 335 00 00 · info@getinge.com

www.getinge.com