

GE Healthcare

Sleek. Simple. Scalable.
It's all within reach.

Carestation™ 650





Sleek.

Introducing a modern design well-suited for today's challenges.

Perioperative care is increasingly complex, but your technology and tools shouldn't be. Designed with essential flexibility in mind, the Carestation 650 features cutting-edge technology and head-turning design in a compact and transport-friendly system that can go anywhere you need it.

Easy to use and economical to operate, the Carestation 650 is a hybrid of digital technology and classic performance that puts affordable innovation within reach. No compromises. No boundaries.



The first thing you'll notice about the Carestation 650 is its sleek, modern and compact design made to fit wherever you need it.

Tactile controls

Familiar touchscreen interface

Ergonomically friendly

Engineered for mobility

Durable and stable frame

Simple.

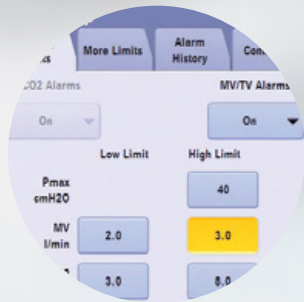
Classic GE performance and an intuitively familiar user experience.

A rotating clinical staff in a fast-paced OR requires easy tools to master with minimal product training. In order to focus more time on the patient, anesthesia technology must balance intuitive user interface design with software intelligence to deliver information that can help enhance patient care. The Carestation 650 combines second-generation digital touchscreen technology with familiar tactile controls that are easy to operate. When seconds count, the seamless and familiar CARESCAPE™-inspired user interface helps you react quickly to changing conditions.



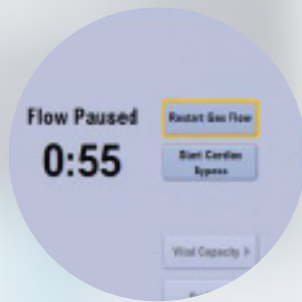
Familiar touch user interface

The advanced 15-inch touchscreen user interface unites the ventilation and patient monitoring controls for a seamless Carestation experience. The system features a flat menu structure and crisp, high contrast image clarity to make it easy to configure and operate.



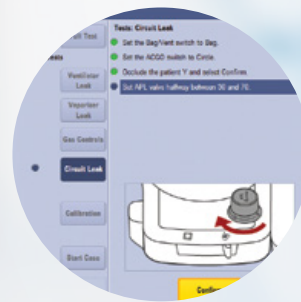
Easy alarm management

Auto Alarm Limits software may help reduce alarm fatigue allowing you to quickly review and accept tailored CO2 and MV/TV alarm limits real-time within a case.



Pause Gas Flow

A workflow solution that simplifies temporary circuit disconnects. One button temporarily stops all gas flows and suspends alarms, agent delivery and ventilation for up to one minute allowing you to focus on the patient.



Fast checkout

The daily checkout process is as simple as it is thorough. Complete the checkout in as fast as three minutes using the clear, step-by-step on-screen guidance.



Ergonomic controls

Familiar, tactile and easy to use controls are comfortably within reach to help eliminate stretching and awkward positions.



Intelligent lighting controls

Intelligent lighting highlights active flow controls and visible reinforcement is provided on the ventilation screen to highlight flow status whenever auxiliary ports are in use.



Compact, efficient cockpit-inspired design assures that all essential controls are within reach.

Flexible options that help expand coverage, enhance performance and grow with you as your needs change.

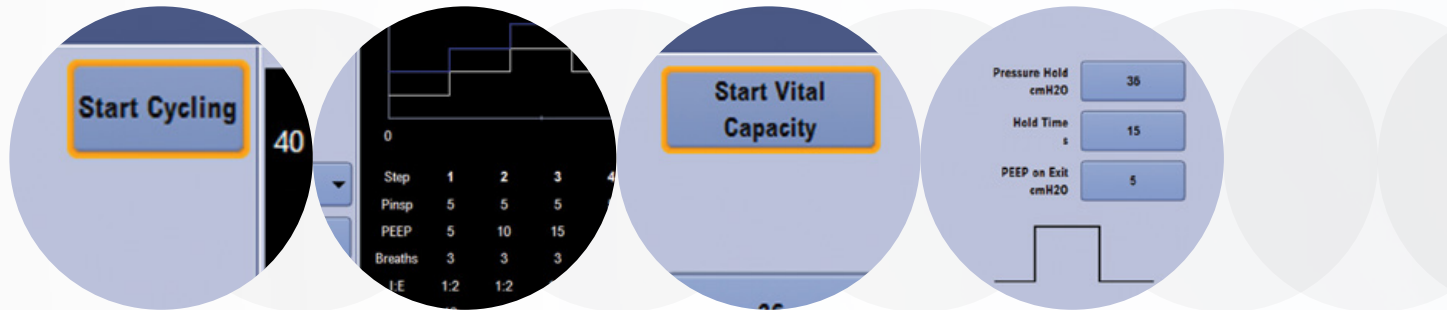
Space-saving hardware

The rotating and tilting display arm supports our CARESCAPE patient monitors to unite critical information and controls for a unified user experience. The integrated gas module brings essential respiratory parameters directly to the ventilator display and frees up space for additional patient monitoring parameters.



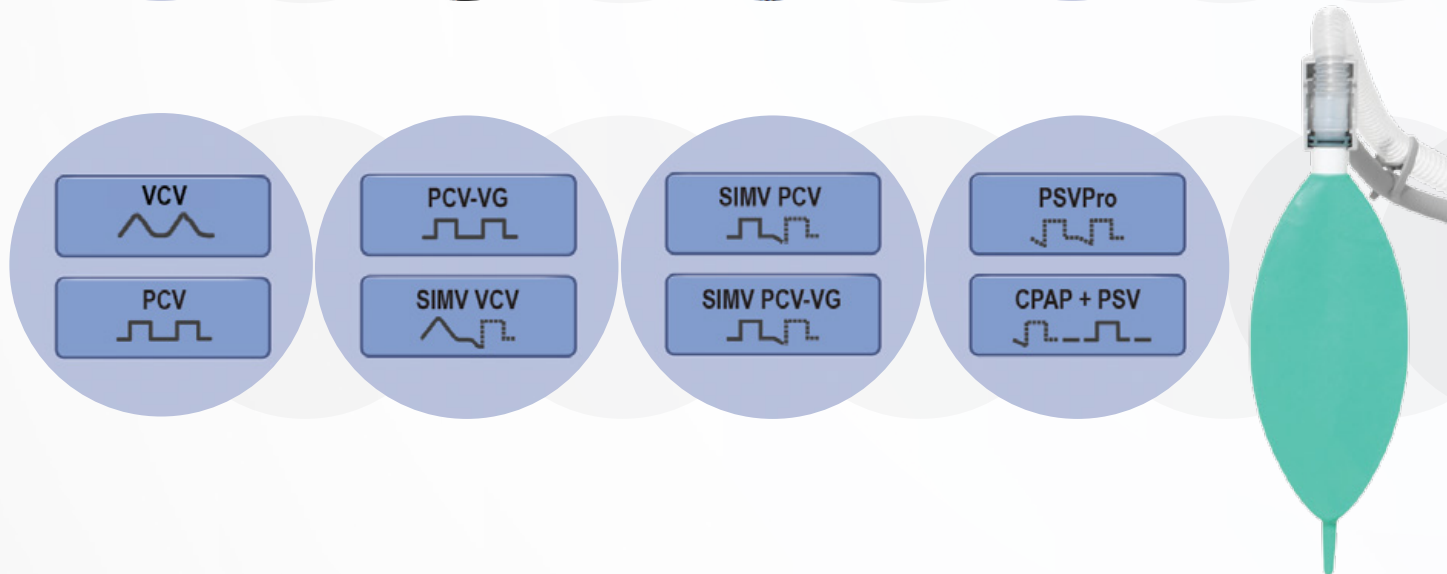
Time-saving software

Software-enabled tools help simplify your workload. Vital Capacity and Cycling Procedures help automate repetitive tasks used during lung ventilation procedures.



Advanced ventilation – neonate to adult

Healthcare is more complex than ever and your anesthesia system needs to adapt to suit a wide range of patients. Our electronic flow valve technology offers precise flow sensor sensitivity for volumes as low as 5 mL in PCV mode to help you deliver with confidence.





Scalable.

Tools and technology to serve diverse patient acuities.

Investing in digital technology offers numerous possibilities and flexibility to enhance patient care — now and in the future. Software enabled options can be tailored to expand performance to serve today's needs or added later to meet tomorrow's challenges.

Carestation 650 intelligently packages and connects monitoring devices, innovative parameters and advanced ventilation tools in a single, integrated system. Combined together in your Carestation, these hardware and software options unite precision and speed with a sense of command and control to help improve patient care and enhance workflows.

Low flow. High impact.

ecoFLOW

Clinicians skilled in the practice of low and minimal flow anesthesia delivery understand that sometimes less is more. That's why we developed ecoFLOW, an efficient anesthesia delivery technology that provides visual guidance to help you maintain the desired inspired oxygen concentration and identify unnecessarily high fresh gas flow rates.

Anesthetic agents are not only costly, but scientific evidence suggests that excess inhaled agents released into the atmosphere have the potential to affect the environment.¹ Offered on the Carestation 650, ecoFLOW may have a positive impact on the environment when agent waste gases are reduced.



Patient

Helps your patient care by continuously monitoring the precise flow rates required to maintain target inspired oxygen concentrations.



Economical

Anesthetic agents are the biggest ongoing expense associated with anesthesia units. The ecoFLOW option offers cost savings through more efficient utilization of inhaled anesthetics.²



Ecological

By choosing a low flow practice, the environmental impact of anesthetic vapors and gases can be minimized to help reduce the impact of these greenhouse gases.

ecoFLOW technology

A new way to look at flow tubes to help you ensure your inspired oxygen target settings are achieved.

The illustration shows flows above the Fi25 target as potential waste gas or excess to the patient's consumption. Whenever fresh gas flow exceeds the patient's requirement, gases enter the scavenging system and, ultimately, contaminate the atmosphere.



ecoFLOW savings

ecoFLOW shows you a target and displays the cost of the liquid agent that corresponds with your set flow.

Use the information to adjust oxygen flow to help avoid hypoxic delivery or unnecessarily high fresh gas flow rates.



A true eco system.

Economical and ecological.

Designing a complete system to support low flow anesthesia is how we deliver on our commitment to helping reduce operational costs long after the point of purchase. If your anesthetic agent usage were reduced, the savings may help fund the purchase of new life support equipment and reduce the environmental impact of excess wasted agent that can contaminate the atmosphere.

Reliable.

Making better possible
for over a century.

The Carestation 650's sleek design, simple user interface and scalable platform are just the latest step in a rich legacy of Carestation systems over the past 100 years. And with 19,000+ hours of reliability and endurance testing, equal to over 450,000 simulated cases, you can trust it to meet the rigorous demands of your OR and beyond.³ It's all within reach.



500,000+
Hardware
component cycles



17,000,000+
Software actions
stress test



-60° to +120° C
Extreme
temperature
testing



Rigorous
interference and
shock testing



Stability and tip
testing under
harsh conditions



Industry-leading
Lean Six Sigma
manufacturing



120,000,000+
Flow sensor tests



250,000+
Hardware and
software reboot
cycles



1,000,000,000+
Flow valve cycles



Wall mount system option
(Carestation 650c)

Pendant system option
(Carestation 650c)

CARESCAPE Monitor B650

15" Touchscreen
user interface



Display arm rotates and tilts
for ideal positioning

Digital flow display and
intelligent lighting

Maintenance-free
Tec™ 7 vaporizers

Flexible mounting rails

Durable flip shelf

Durable materials

Compact Breathing
System (CBS-600)

Easy-to-change canister

Three soft-close
storage drawers

Small footprint

Central brake

Caster guards

Sleek. Simple. Scalable.
It's all within reach.

Carestation 650



www.gehealthcare.com

GE Healthcare provides transformational medical technologies and services that are shaping a new age of patient care.

Our broad expertise in medical imaging and information technologies, medical diagnostics, patient monitoring systems, drug discovery, biopharmaceutical manufacturing technologies, performance improvement and performance solutions services help our customers to deliver better care to more people around the world at a lower cost.

In addition, we partner with healthcare leaders, striving to leverage the global policy change necessary to implement a successful shift to sustainable healthcare systems.

Imagination at work

1 There are several online resources available to learn more about the environmental impact of anesthetic agents including:

General Anesthetic Gases and the Global Environment (author Yumiko Ishizawa, M.D., MPH, Ph.D.) Anesth. Analg. September, 2010

Global Warming Potential of Inhaled Anesthetics: Application to Clinical Use (authors: Susan M. Ryan, M.D., Ph.D., and Claus J. Nielsen, CSc) International Society for Anaesthetic Pharmacology July 2010
www.anesthesia-anealgia.org

2 ECRI Institute Healthcare Product Comparison: Anesthesia Units. 2011.

3 GE internal verification and validation testing report 2015. DOC1677887.

Not approved in all markets. Not cleared or approved by the US FDA. Not for sale in the United States.

©2015 General Electric Company - All rights reserved

CARESCAPE, Carestation and Tec are trademarks of General Electric Company.

JB28112XX

This document applies to Carestation 650 A1 and Carestation 650c A1