

# Universal Frame

Innovative patient positioning

GETINGE GROUP





## Universal Frame

The ideal addition to every operating table

---

### Improved options in patient positioning:

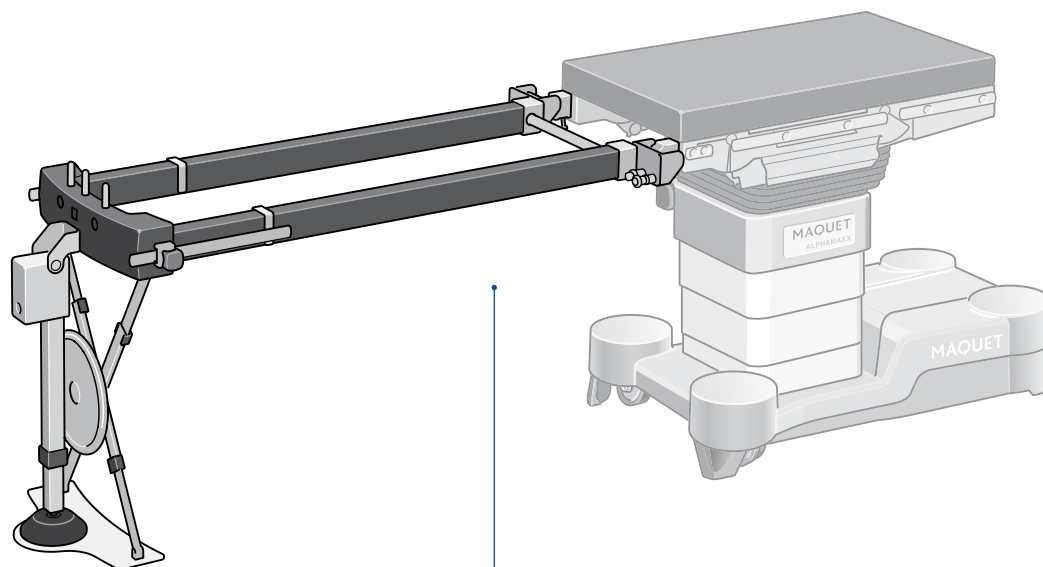
With the Universal Frame for patient positioning, Maquet delivers a whole new level of flexibility to surgical teams across a range of disciplines. In combination with a Maquet operating table, the frame supports prone, supine and lateral patient positioning – while maximizing radiolucency for impeccable intraoperative imaging.

### The benefits at a glance:

- Innovative patient positioning
- Multifunctional applications
- Exceptionally large X-ray area
- Quick and easy configuration
- Supports ergonomic working
- High stability

Getinge Group. Passion for life.





Orthopedics and  
Traumatology

Neurosurgery

Vascular surgery

Pediatrics

General surgery

## Flexibility and **radiolucency** across multiple surgical disciplines

**The next level in patient positioning:** the Universal Frame for patient positioning is designed to provide ergonomic support for nearly all surgical procedures in lateral, prone or supine positions. And because the main components of the frame are made of radiolucent material such as carbon fiber, it supports intraoperative imaging.

**Continuous improvement:** the Universal Frame is the next generation of the Maquet Spinal Frame. While the latter was designed specifically with spine surgery in mind, the new possibilities presented by the Universal Frame make it an attractive option for many disciplines.

**Enhancing radiolucency and flexibility across disciplines:** with the Universal Frame, hospitals benefit from a single device that supports a broad variety of procedures. The frame is compatible with almost all tables in the current Maquet portfolio. Thanks to flexible positioning options and a slender design, it ensures excellent access to the patient. Plus, good radiolucency options make the frame particularly suitable for procedures where intraoperative imaging plays a key role.



Long table top for an extra-large X-ray window



Short table top for better access to the cranial region



The positioning elements are laterally, vertically and horizontally adjustable.



The side rail clamp enables adaptation of additional accessories.

## Possibilities for patient positioning

### The highlights at a glance

**Universal Frame:** the frame comprises two carbon fiber bars and a stainless steel support foot. It can be easily attached to Maquet tables via the leg plate interface, and is highly stable once in place. Adding accessories is quick and hassle-free, and can be performed by one person if needed.

**Adjustable positioning elements:** four positioning elements with SFC padding offer an innovative solution for the prone position. They can be adjusted individually in three planes – laterally, vertically and horizontally – providing precise support tailored to the patient's body and the surgical scenario. Moreover, the positioning elements are metal-free radiolucent and minimize the supporting surface under the spine.

**Short and long table tops:** two table tops are available for the lateral, supine and prone positions, which include SFC padding that can be easily removed for cleaning. The short table top provides particularly good access to the head and throat, while the long table top creates an expansive imaging window for spine and abdominal procedures.

**Additional accessories:** by simply mounting the side rail clamp on the carbon fiber bars, OR staff can attach accessories in line with their requirements. Plus, because all Universal Frame accessories are also compatible with the legacy Spinal Frame, you can continue using your existing equipment.



# Universal Frame

## A host of benefits



*Knee-elbow position for spinal disc surgery*



*The long table top is well suited for pediatrics and vascular surgery.*



*The low minimum height supports ergonomic working conditions.*

### Multiple options for patient positioning

- Used for prone, supine and lateral positions
- Adjustable positioning elements can be adjusted in three planes for precise positioning in prone
- A wide range of accessories support procedures across multiple disciplines

### Excellent radiolucency for intraoperative imaging

- Carbon fiber bars and metal-free adjustable positioning elements and table tops ensure good radiolucency options whatever the patient position
- Streamlined frame design provides good access for C-arm, O-arm or 3D scanner during procedures
- Flat construction enables inlet and outlet imaging

### Ergonomic working conditions

- Slender design and low minimum height provide excellent access to the patient, and allow the surgeon to work while seated if necessary
- Can be configured quickly and easily, by one person if required

### High stability for better support

- The table tops support a proportional patient weight of 250 kg (551 lbs)
- The adjustable positioning elements support a proportional patient weight of up to 180 kg (396 lbs)
- Robust support foot ensures exceptional stability, whatever the position or patient weight

### Basic package of Universal Frame includes:

- 1 universal frame
- 1 side rail clamp
- 1 head rest adapter
- 1 pair of adapters for table interface
- 1 mirror
- 1 trolley
- 2 arm supports
- 1 perspex head rest
- 1 pair of adjustable side rails
- 1 filler piece

# Technical specifications and accessories

## Technical specifications

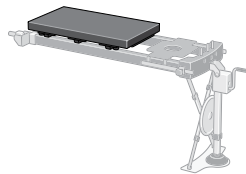
Max. overall load (adjustable positioning elements)	180 kg/396 lbs
Max. overall load (table tops)	250 kg/551 lbs
Net weight of Universal Frame	35 kg/77.2 lbs

## Dimensions

Radiolucent length	AP= 1400 mm/55.1" 360°=1135 mm/44.7"
Length of long table top	1350 mm/53.1"
Length of short table top	850 mm/33.5"
Height adjustment (without padding)	640-940 mm/25.1-37"
Height adjustment adjustable positioning elements	135-215 mm/5.3-8.5"
Height table tops	35 mm/1.4"

## Versions and accessories

1007.24X1	Universal Frame
1007.25X0	Side rail clamp
1007.26A0	Short table top
1007.26B0	Long table top
1007.27A0	Adapter for MAGNUS
1007.28B0	Adjustable positioning elements
1007.29A0	Disposable covers for adjustable positioning elements
1007.30A0	Adapter for Radiolucent Spine Surgery Frame
1007.31A0	Radiolucent Spine Surgery Frame



## Overview patient positioning options

Short table top

Long table top

Adjustable positioning elements

### General surgery

Supine position	•	•	
Pediatrics		•	•

### Vascular surgery

Supine position		•	
-----------------	--	---	--

### Interventions in the cranial area

Supine position	•	•	
Lateral position	•	•	

### Interventions in the cervical area

Supine position	•	•	
Prone position	•	•	•
Park bench position	•		

### Interventions in the spine area

Supine position	•	•	
Prone position			•
Lateral position	•	•	

### Interventions in the pelvis area

Supine position		•	
Lateral position	•	•	

---

# GETINGE GROUP

MAQUET GmbH  
Kehler Str. 31  
76437 Rastatt, Germany

[www.getingegroup.com](http://www.getingegroup.com)

---

**MAQUET**  
GETINGE GROUP

**ARJOHUNTLEIGH**  
GETINGE GROUP

**GETINGE**  
GETINGE GROUP

Getinge Group is a leading global provider of innovative solutions for operating rooms, intensive-care units, hospital wards, sterilization departments, elderly care and for life science companies and institutions. With a genuine passion for life we build quality and safety into every system. Our unique value proposition mirrors the continuum of care, enhancing efficiency throughout the clinical pathway. Based on our first-hand experience and close partnerships, we are able to exceed expectations from customers – improving the every-day life for people, today and tomorrow.