



Maquet Moduevo Ceiling Supply Units

Improving healthcare environments

This document is intended to provide information to an international audience outside of the US.

GETINGE * 



Maquet Moduevo Ceiling Supply Units

Support from above

With Maquet Moduevo Ceiling Supply Units, clinicians can spend less time accessing or moving equipment, so they have more time for patient care.

Maquet Moduevo has been designed with a singular purpose in mind: to enhance provider-patient interactions with safety, efficiency and long-term ownership considerations.

Maquet Moduevo does so with extraordinary simplicity, delivering effortless maneuverability in the Operating Room, Intensive Care Units, Emergency Departments, and other space-constrained clinical environments – with unprecedented ease in customization, and an uncomplicated approach to future-proof flexibility.

The fact is, in every critical metric of evaluation – load capacity, arm reach, distributor maneuverability, safety, upgradeability, and value – Maquet Moduevo is designed to meet your requirements and expectations today and well into the future.

Because a ceiling supply unit shouldn't get in the way of your bottom line, but support your ability to improve patient outcomes.



Maquet Moduevo

– a solution for diverse environments



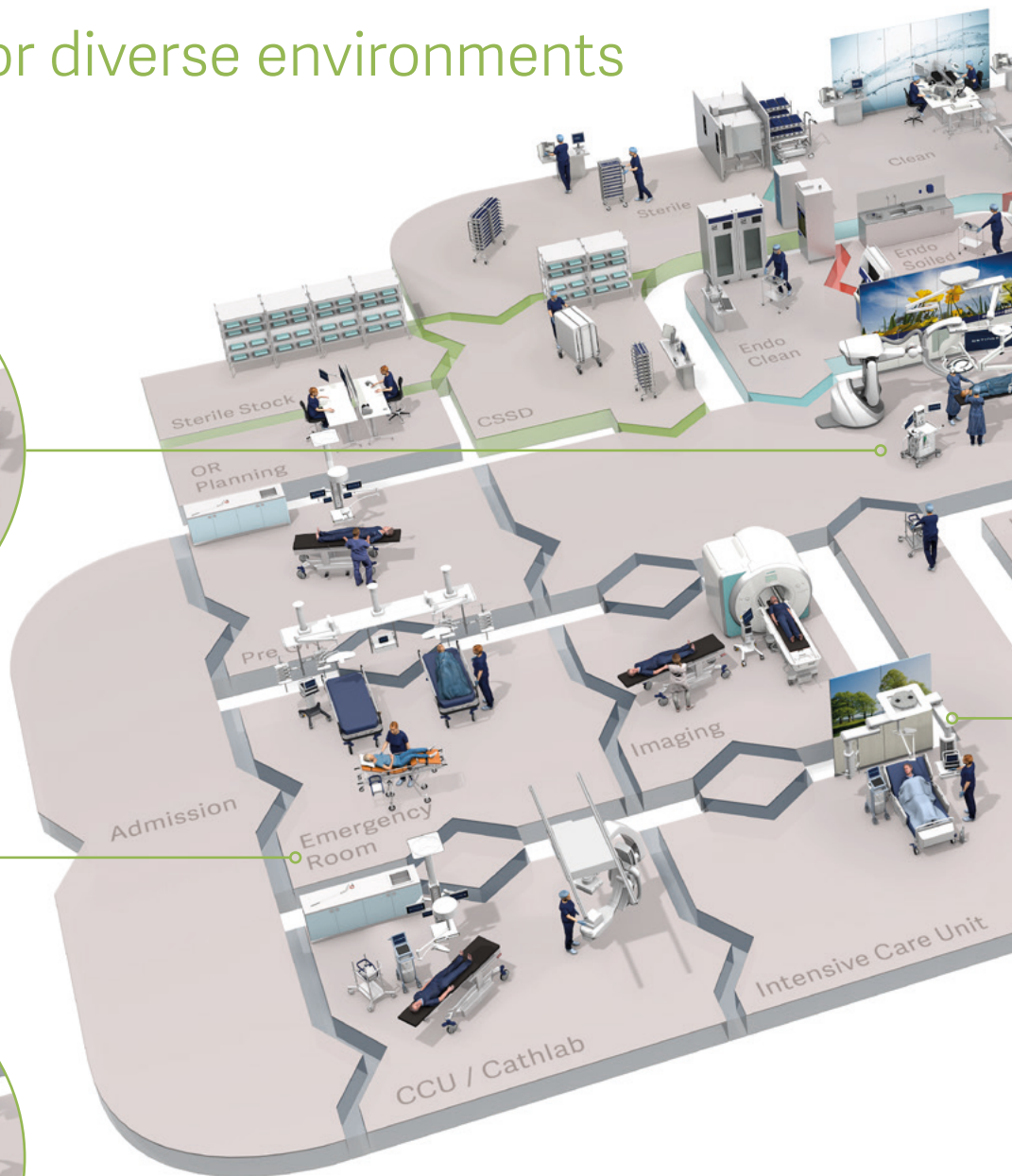
Operating Rooms

Maquet Moduevo mechanical and powered (lifting) arm systems for general, specialty and hybrid room applications.

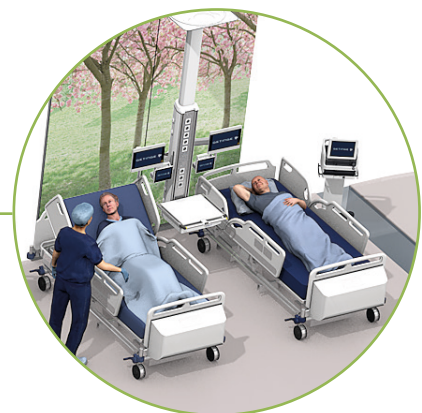


Emergency rooms

Maquet Moduevo Bridge: One unit for two beds to answer to economical considerations.



Those examples are only given for reference, other solutions are possible. Please refer to your local sales representative.



Recovery / Step Down Units
 Maquet Moduevo Column solution:
 Carrying all the essential equipment.



Intensive Care Units
 Maquet Moduevo Dual solution:
 Suitable for single rooms.



Intensive Care Units
 Maquet Moduevo Bridge: The right
 choice for multi-room and larger ICUs.

Maquet Moduevo

– enabling surgeries



»During surgery,
every action counts.«

Healthcare staff want to focus on the patient – not on equipment and utilities. When developing its Maquet Moduevo line of ceiling supply units, Getinge put itself in the shoes of these professionals – and created a highly ergonomic, efficient solution that allows staff to concentrate on the patient and not the device. A variety of beam lengths adds further flexibility. Additionally, high load capacity is not compromised by greater reach.





Maquet Moduevo Sky Distributor

Solutions for anesthesia workstations

Maquet Moduevo's lifting solution ensures that all anesthetic procedures are carried out in an optimal workflow environment.

- High standards for hygiene and ergonomics in the operating room: with the equipment off the floor, air circulation in the OR is improved and easy cleaning is made possible, therefore improving room turnaround.
- Moduevo Energy's motorized arm to adjust the distributor height for optimal working position.
- Cargolift to lift the anesthesia machine from the floor and position it at the ideal level
- Sky distributors horizontal orientation naturally creates greater clearance for positioning medical equipment underneath thereby improving clinical workflow.

Maquet Moduevo

– Hybrid Rooms and minimally invasive surgery

Operate with enhanced vision

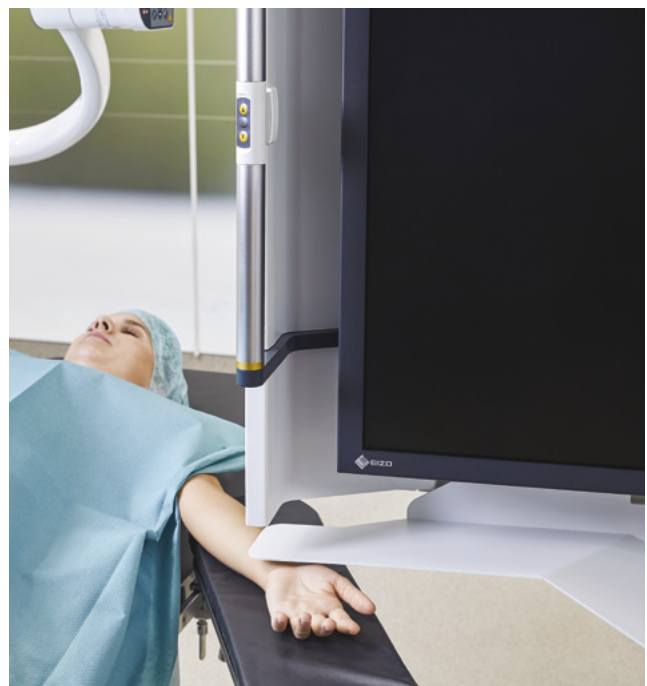
In Hybrid Operating Rooms, advanced imaging plays a major role by enabling surgeons to see inside the human body in greater detail and higher resolution.

For minimally invasive surgery, advanced imaging provides accurate guidance and navigation throughout the intervention, increasing precision, better hand-eye coordination, while reducing procedure time.

Maquet Moduevo Screen Holders range answers to this trend by offering flexible configurations. Compatible with large format screens up to 66" and multiple screens up to 32", it can display any full-HD or 4K information such as X-rays, endoscopic images, vital signs and patient files.

Enhanced safety and working conditions with Moduevo large screen holder:

- **Safety system:** the vertical safety bar and the lateral safety swing collision prevention system is a breakthrough technology to improve patient safety, minimize damage to imaging and other medical equipment and secure the smooth progress of surgical procedures.
- **Precaution:** back-up screens up to 32" can be installed on the rear panel.
- **Full coverage within the operating area:** The screen holder may be positioned within a 5 m / 16.4 ft diameter area centered around the mounting structure to meet surgeon's preference.



Maquet Moduevo Large Screen Holder's safety bar



Maquet Moduevo Large Screen Holder in a hybrid room



Endoscopy workstation: dual mechanical Moduevo Beam with Slim Distributor

Architectural support for minimally invasive surgery (MIS)

Minimally invasive surgery requires its special equipment and room lighting. With Maquet Moduevo's exceptional loading capacity and flexibility, the requirements for MIS can be easily met.

- Up to 350 kg / 771 lbs loading capacity can carry all essential endoscopy equipment.
- Additional mounts available for monitors, scopes, suction canisters, etc.
- Ambient lighting on the sides, top, and bottom of the supply unit enables nurses and other medical staff to complete their tasks safely in the dark environment required for endoscopic surgery.

Streamlining workflows

– in critical care areas

Maquet Moduevo was designed with the patient experience in mind. Specifically, it is crucial that patients in intensive care units are able to rest.

To this end, Maquet Moduevo can include options such as whisper quiet electro-magnetic brakes, so staff can reposition the pendant without disturbing patients.

Furthermore, soft ambient lighting on the sides, top and bottom of the supply unit create a soothing atmosphere. In comparison to fixed headwall solutions, ceiling supply units resolve recurring issues in healthcare environments.

By providing space to mount equipment and keeping cables off the floor, they simultaneously improve access to patients. In ICUs in particular, Maquet Moduevo Units can accommodate medical supplies for nurses stations, monitors, and ventilators.

A dual pendant configuration allows a better organization of the workstation, by allocating a dedicated place to the dry and the wet side, simplifying the different care needed.





A dual pendant configuration allows a better organization of the workstation.

CPR



GETINGE
MAQUET | MODUEVO



Citadel Plus



Challenging facility constraints in critical care areas

Getinge has developed a horizontal solution to accommodate architectural constraints: Maquet Moduevo Bridge.

This economical, space-saving ceiling supply unit is designed to enhance provider-patient interactions at all acuity levels by keeping everything close at hand. It can be installed in intensive care and high-dependency care units, recovery and emergency departments.

- Ideal for rooms with low ceilings: the beam height is adjustable from 1,800 to 2,350 mm (70.9" to 90.5").
- The right choice for large departments: the units can be placed next to each other to avoid losing valuable clinical space. You can also combine various beam lengths from 2,200 to 3,500 mm (86.6" to 137.8").
- Suitable for units without windows: the Somnus Light provides innovative daylight simulation.

Maquet Moduevo Bridge is an answer to economical considerations: one unit can serve two beds for added flexibility during periods of high patient admission.



Maquet Moduevo

– an answer to hospitals daily challenges

Healthcare organizations must juggle a number of imperatives. They have to balance budgets without compromising the quality of care.

They need to find ways to improve hospital environments for both staff and patients. And they must make best possible use of their resources – all while striving for consistently accurate results.

Fostering patient comfort and recovery

Delirium in ICU patients is associated with increased duration of mechanical ventilation, prolonged hospitalization, increased rates of self-extubation, and increased risk of mortality. To minimize the effects of sleep deprivation due to patients delirium, Maquet Moduevo Bridge can be equipped with the Somnus Light which provides an innovative daylight simulation. Developed according to the Lighting Research Center Recommendations and based on the Circadian Stimulus, it creates bluish tones to simulate morning light, while reddish ones represent evening light.

In addition, ambient lightings are available on the top, sides and bottom of the system. Ambient colors can be integrated, creating a peaceful and healing atmosphere for patients, families and medical staff.

Sleep deprivation is common amongst patients in intensive care units (ICU) and can lead to physiological and psychological dysfunctions that affect the healing process and increase morbidity and mortality¹.

Following the trend on quiet ICUs, Maquet Moduevo's pioneering electromagnetic brakes are almost completely silent thereby keeping any extraneous noises away from the patient.



Creating a peaceful and healing atmosphere for patients, families and medical staff: up to six colors of ambient lighting can be integrated into Moduevo Bridge.

¹ Sleep promotion in the intensive care unit – A survey of nurses' interventions, Intensive and Critical Care nursing, June 2011



Maquet Moduevo Bridge Somnus Light

Positioning made easy

The Grab & Move handle breaks new ground in terms of intuitive positioning. When grasped, its capacitive sensing technology releases the unit's brakes. This enables staff to intuitively move the pendant to the desired position simply, with just one hand and minimal physical effort. On Maquet Moduevo Bridge, the lateral slide can be managed by one person. Distributors can be easily moved closer or farther away with minimal effort.

Outstanding maneuverability

The Maquet Moduevo range offers a choice of mechanical/friction, pneumatic and electro-magnetic brakes. Each option delivers first-rate safety, precision and reliability.

What's more, Maquet Moduevo's pioneering electro-magnetic brakes are absolutely silent, enhancing patient comfort – and virtually no maintenance is required. Plus, staff can rely on seamlessly smooth, controlled articulations and enjoy Maquet Moduevo's broad range of movement. In short, Maquet Moduevo can be rapidly and precisely positioned. Its versatility allows staff to configure their ideal working environment, keeping essential equipment – and power, gases and data ports – on hand at all times.

In addition, the units feature high load capacity – up to 350 kg / 771 Lbs – and can be rotated 330 degrees.

Facilitate medical examination

The optional OR light adapter allows you to add more light with either Maquet Lucea, or Maquet Volista Access. For examination, reading and basic tasks, lighting can also be integrated.*

Space saver in recovery rooms and NICU

In neonatal intensive care units (NICU), Maquet Moduevo ensures key technologies and equipment are readily accessible as skilled staff treat the hospital's newest and tiniest patients. Infants taken to the NICU are often born premature, or have other high-risk factors – and require immediate attention and specialized care. In the NICU, Maquet Moduevo's fixed column allows neonatologists and other medical professionals to quickly and flexibly add any device they need. Light plays an important role in the development of premature babies by preventing eye diseases. Moduevo Bridge offers various lighting options with up to six ambient lighting and the Somnus Light.

For recovery purposes, a single pendant or a column system is capable of carrying all the essential equipment – such as infusion system, monitors, and shelves – for treatment in recovery rooms. For cost and space saving, a column system can serve two beds positioned on each side of the pendant.

* Only on Maquet Moduevo Bridge



Maquet Moduevo Bridge lateral slide



Grab & Move handle

88% 88:88 88





Improved hygiene and safety

– protecting patients and staff

Maquet Moduevo is designed for exceptional hygiene and efficiency.

The seamless finish accentuates the portfolio's state-of-the-art design. And the benefits go beyond the surface: with fully enclosed cables and no exposed screws, rubber, or sharp edges, the unit is much easier to clean – reducing the risk of nosocomial infections and accelerating turnaround.

Maquet Moduevo Units help improve working environments for caregivers. For example, by running gas tubes and high- and low-voltage cables through the beam, Maquet Moduevo eliminates trip hazards. In other words, the typical multitude of tubes and cables snaking along the floor is instead routed through the pendant itself – an effective approach to cable management. Consequently, the units increase safety, raise efficiency and improve access to instruments and patients. Accessories, such as cable boxes, further improve cable management.



Suitable for changing needs

Maquet Moduevo's versatile Ergonomic Positioning System (EPoS) allows you to easily add or remove equipment for positioning, holding, and storage. Components and accessories – even those requiring a power supply – can be added and removed in line with your changing needs.

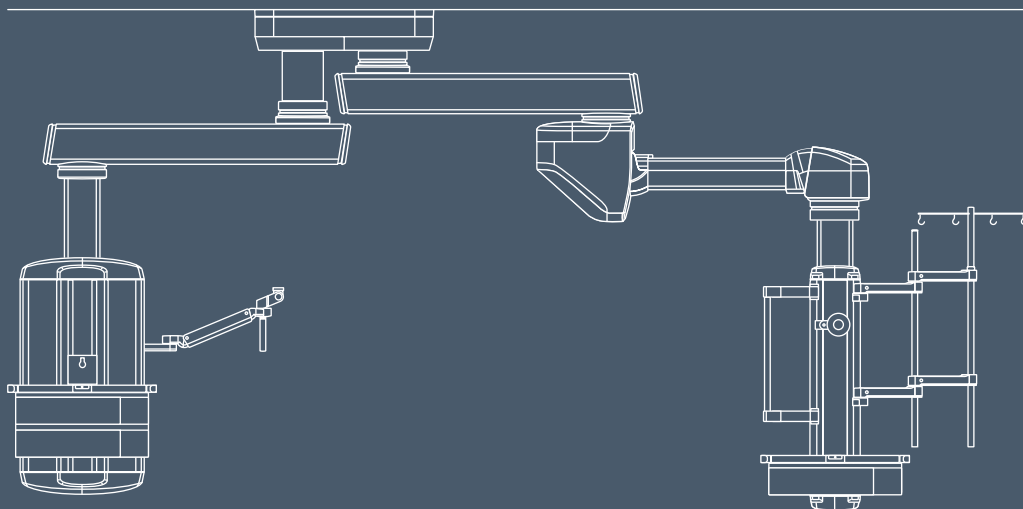
Moreover, these can be freely positioned on every face of the unit module and at any height. Customized workstations can be created easily and quickly, ensuring that everything is within comfortable reach.



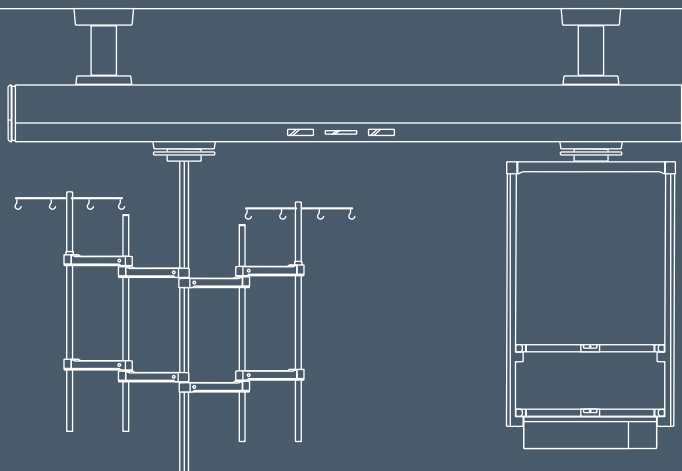
It's all about choice

– create your ideal environment

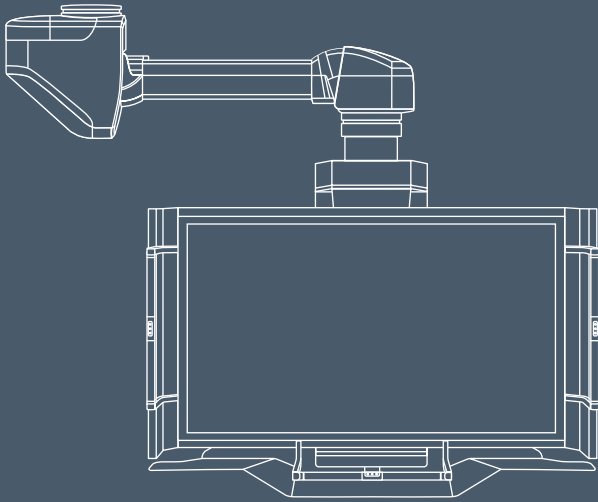
The range comprises multiple arm solutions: mechanical and motorized beams as well as lifting solutions that can be combined with various distributors to easily accommodate diverse medical disciplines, room configurations, patient types, and staff heights and preferences.



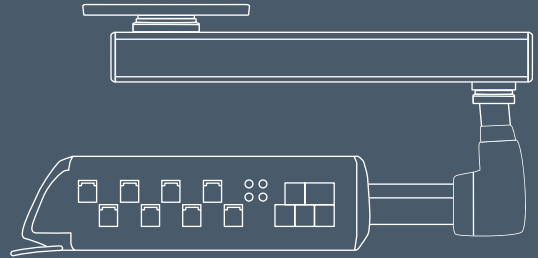
Example of a dual pendant with mechanical beam and large distributor (Twin) and motorized beam (Energy) with small distributor (Slim).



Example of Bridge Classic with rack and pole.



Maquet Moduevo Large Screen Holder with Energy



Maquet Moduevo PLG for anesthesia workstations

Maquet Moduevo accessories

Underscore Maquet Moduevo's exceptionally flexibility, modularity and customization options. For customized workstations, there is a wide choice of complementary accessories.



Accessories to store



Accessories to position



Accessories to hold



Accessories to illuminate



Want to know more about Maquet Moduevo accessories?

Check our dedicated online page about Moduevo accessories range:

<https://www.getinge.com/int/product-catalog/maquet-moduevo-accessories/>



Planning and design tool

– OR3D software to make better decisions



OR3D is designed to facilitate planning by creating an early visualization and understanding of how the real installation, either an operating room, an intensive care unit or even a more complex project will look and function. The tool enables sales and project teams to create complete configurations, including the room, the products and the patient. With this as a base, simulations of real-life situations from the user's own point of view paves the way for constructive discussion.

OR3D is a multi-capacity tool. In addition to configuration, presentation and simulation, it also takes care of quotation, order placement and creation of installation plans which makes sure that we produce exactly what has been agreed, without surprises when it's time for the physical installation.

The content library includes all Getinge's OR tables, OR lights, ceiling supply units and accessories as well as a large number of products from third party companies. Updates are integrated automatically.

The OR3D visualization software is used by several hundreds of trained Getinge representatives and distributors in more than 100 countries all over the globe.

Getinge 360° Services

– caring for those who care



Getinge offers services and expertise to improve workflows, equipment uptime, staff and patient satisfaction. Getinge provides 360-degree services – centred around your specific needs – to improve efficiency and create value throughout the entire chain of delivering healthcare. We offer you to combine your services requirements with Getinge and ensure higher quality of care, increased patient safety, equipment uptime, staff satisfaction, and optimized use of resources.

To support you in the best possible way, we offer healthcare services from every angle. Through business value creation and financial solutions, to planning and design of workflows, project implementation, staff training, digital support solutions, and equipment uptime and preventive maintenance services. All coordinated and aligned for your operational and financial goals.



With a firm belief that every person and community should have access to the best possible care, Getinge provides hospitals and life science institutions with products and solutions aiming to improve clinical results and optimize workflows. The offering includes products and solutions for intensive care, cardiovascular procedures, operating rooms, sterile reprocessing and life science. Getinge employs over 10,000 people worldwide and the products are sold in more than 135 countries.

This document is intended to provide information to an international audience outside of the US.

Maquet (Suzhou) Co., Ltd. · No.158 Fangzhou Road, Suzhou, P.R. China 215024 · +86 (0) 512 62839880

www.getinge.com